

# DAIHATSU

---

# G202

## Chassis

### HARNES & WIRING

<b>GENERAL INFORMATION</b> .....	HW- 2	FRONT DOOR RH	
LOCK TYPE CONNECTOR .....	HW- 2	(Driver's side) / R.H.D. ....	HW-25
TERMINAL REMOVAL/ INSTALLATION .....	HW- 3	FRONT DOOR LH	
PIN NUMBER OF CONNECTOR .....	HW- 4	(Passenger's side) / R.H.D. ....	HW-26
OPERATION OF WIRE HARNESS .....	HW- 4	FRONT DOOR LH	
WIRING HARNESSES .....	HW- 6	(Driver's side) / L.H.D. ....	HW-27
INSPECTION OF CIRCUIT WITH		FRONT DOOR RH	
TESTER .....	HW- 7	(Driver's side) / L.H.D. ....	HW-28
INSPECTION OF SHORT CIRCUIT .....	HW- 7	REAR DOOR LH .....	HW-29
JUNCTION BLOCK		REAR DOOR RH .....	HW-30
(Main fuse block) .....	HW- 8	BACK-DOOR NO. 1 .....	HW-31
<b>SCHEMATIC DIAGRAM OF WIRING</b>		BACK-DOOR NO. 3 .....	HW-32
<b>HARNESSES</b> .....	HW- 9	INTERIOR LAMP FEED .....	HW-33
<b>WIRE CONNECTION</b> .....	HW-10	ENGINE, L.H.D. ....	HW-34
COURTESY LAMP FEED .....	HW-10	ENGINE, R.H.D. ....	HW-35
FRONT DOOR RH		COWL, L.H.D. ....	HW-36
(Driver's side) / R.H.D. ....	HW-11	COWL, R.H.D. ....	HW-37
FRONT DOOR LH		INSTRUMENT PANEL .....	HW-38
(Passenger's side) / R.H.D. ....	HW-11	FLOOR .....	HW-39
FRONT DOOR LH		WIRING DIAGRAM .....	HW-40
(Driver's side) / L.H.D. ....	HW-12	STARTER AND ALTERNATOR .....	HW-40
FRONT DOOR RH		IGNITION COIL AND IDLE UP .....	HW-41
(Passenger's side) / L.H.D. ....	HW-12	HORN, TURN & HAZARD AND	
REAR DOOR LH .....	HW-13	BACK UP LAMP .....	HW-42
REAR DOOR RH .....	HW-13	METER .....	HW-43
BACK DOOR No. 1 .....	HW-14	WIPER & WASHER, DEFOGGER	
BACK DOOR No. 3 .....	HW-14	AND HEATER .....	HW-44
INTERIOR LAMP FEED .....	HW-14	HEADLAMP AND TAIL LAMP .....	HW-45
ENGINE, L.H.D. ....	HW-15	COURTESY LAMP AND STOP	
ENGINE, R.H.D. ....	HW-15	LAMP .....	HW-46
COWL, L.H.D. ....	HW-16	POWER WINDOW AND DOOR	
COWL, R.H.D. ....	HW-19	LOCK .....	HW-47
INSTRUMENT PANEL .....	HW-22	CIGARETTE LIGHTER AND	
FLOOR .....	HW-23	CLOCK .....	HW-48
<b>WIRING HARNESS</b> .....	HW-24	AIR CONDITIONER .....	HW-49
COURTESY LAMP FEED .....	HW-24	RADIO .....	HW-50

HW

## GENERAL INFORMATION

### LOCK TYPE CONNECTOR

#### PRECAUTION:

- Disconnection and connection of each connector should be kept at a minimum level. If unnecessary disconnection or connection is repeated, it may cause unexpected troubles such as poor continuity and chattering.

G2HW00002-00000

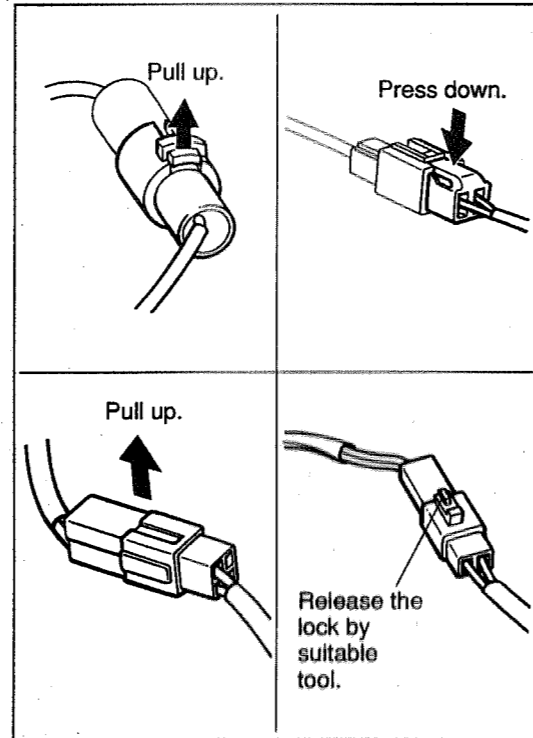
### DISCONNECTION

The lock type of the connector comes in a push release type, a pull release type, a spring lock type, an one-way lock type and so on.

After confirming the shape of the lock, unlock the lock. Disconnect the connector while holding the connector by hand.

#### NOTE:

- Never pull the harness during the disconnection.
- Be sure to pull out the connector straight so as not to damage the terminal.



G2HW00003-00001

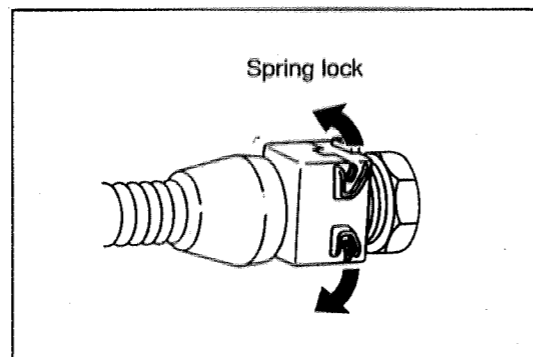
### CONNECTION

Perform the connection until the lock is completely engaged.

After the connection has been made, ensure that the lock is engaged positively.

#### NOTE:

- Be sure to connect the connector straight so as not to damage the terminal.



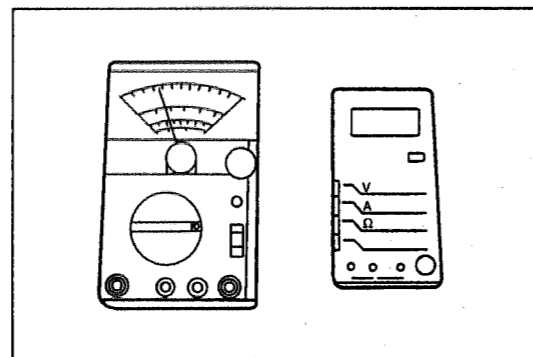
G2HW00004-00002

### INSPECTION

#### Tester (Volt/ohmmeter)

For the inspection, use a tester having an internal resistance of more than 10 kw/V.

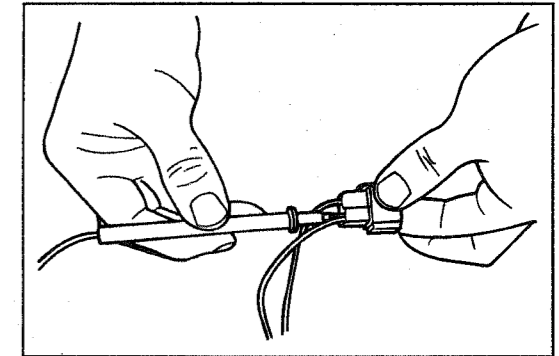
Use of a tester with a low internal resistance may cause wrong measurement or secondary troubles.



G2HW00005-00003

### Conventional type connector

When resistance measurement and/or voltage measurement is conducted at the connector section, insert the measuring probe from the back of the connector, being very careful not to damage the harness-to-terminal connections.



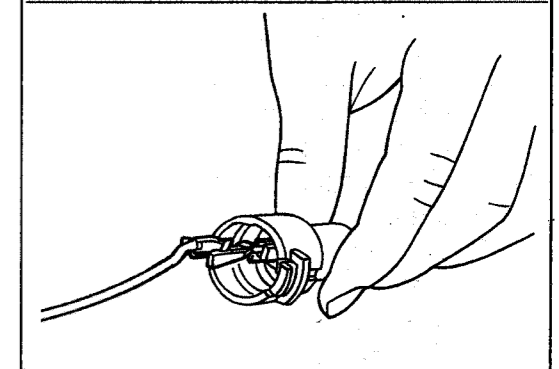
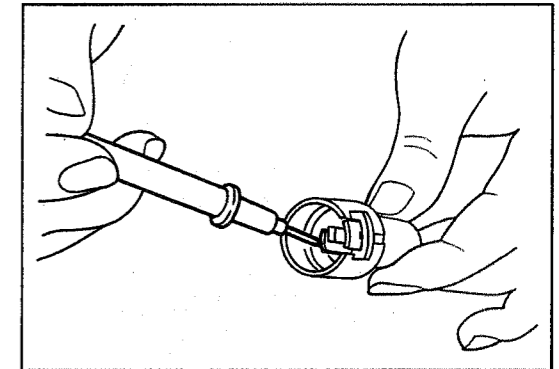
G2HW00006-00004

### Water-proof type connector

When resistance measurement and/or voltage measurement is conducted at the connector section, bring the measuring probe into contact with the terminal at the connection side of the connector.

Be very careful not to apply excessive force to the terminal at the connector side. Failure to observe this caution may deform the terminal, causing poor continuity.

As an alternative method, insert a male or female terminal into the connector terminal or connect an adequate attachment. Then, connect the measuring probe.



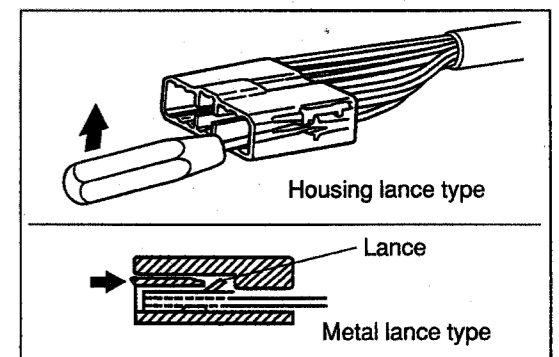
G2HW00007-00005

### TERMINAL REMOVAL/INSTALLATION

#### Removal of terminal

##### <Housing lance type>

Insert a miniature screwdriver through the opening section of the connector into between the locking lug and the terminal. While prying up the locking lug with the screwdriver, pull the terminal backward.



##### <Metal lance type>

While pushing the lance with the screwdriver, pull the terminal backward.

G2HW00008-00006

## Installation of terminal

### <Housing lance type>

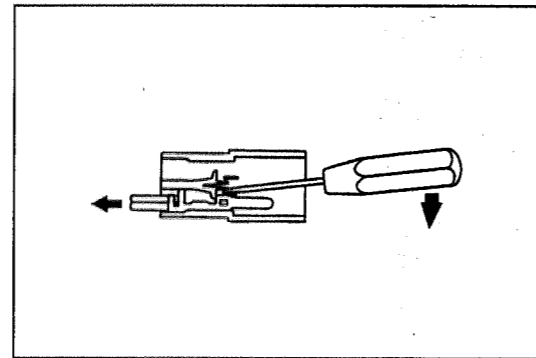
Push the terminal into the protruding section of the connector, until the lock is engaged completely.

Lightly pull the harness to assure that the locking has been made completely.

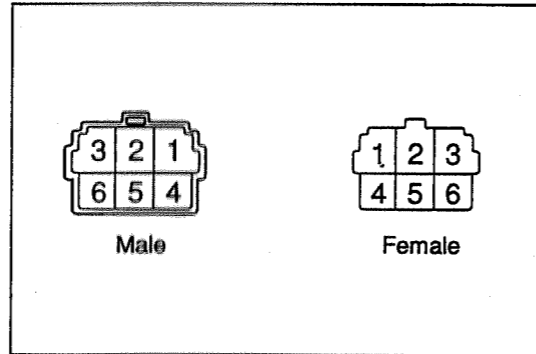
### <Metal lance type>

Insert the terminal into the connector, until lance is locked completely.

Lightly pull the harness to assure that the locking has been made completely.



G2HW00009-00007



G2HW00010-00008

## PIN NUMBER OF CONNECTOR

### (1) Pin number of female connector

The numbering is made in sequence from the left/upper position to the right/under position.

### (2) Pin number of male connector

The numbering is made in sequence from the right/upper position to the left/under position.

## OPERATION OF WIRE HARNESS

### 1. General instructions

(1) Never pull the connectors or step on them during the wire harness transport or assembly.

(Prevention of pulling-out of terminals, connector cracks, deformation and so forth)

(2) Care must be exercised to ensure that no scratch is made to the wire harness by burrs or edges during the wire harness transport or assembly.

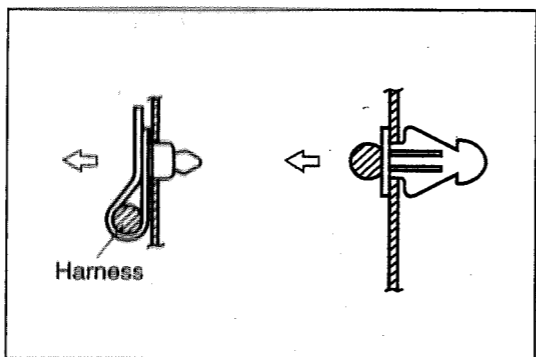
(Prevention of scratches to the outer trim, electrical insulators and so forth)

### (3) Clamping method

In the case of resin clamps, ensure that the clamp section is fitted in the body hole.

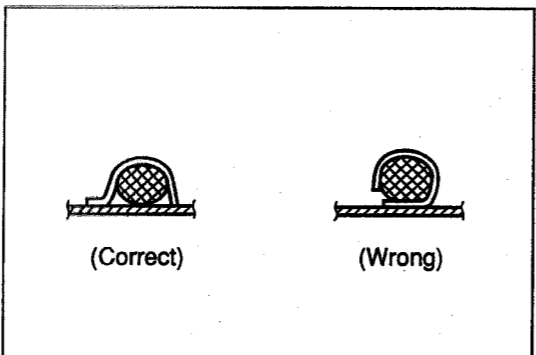
#### NOTE:

- Ensure that the clamp will not be detached when it is pulled lightly in the arrow-headed direction.  
(Prevention of interference due to the detachment of the clamp)



G2HW00011-00000

G2HW00012-00009



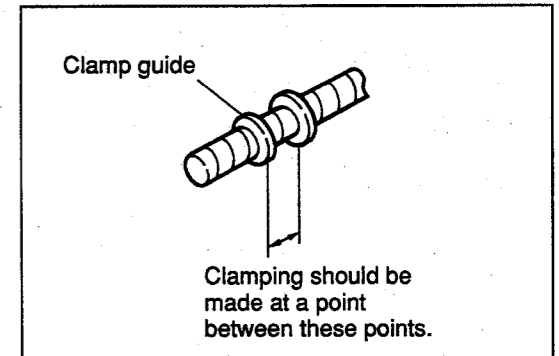
G2HW00013-00010

- In the case of metal sheet welded clamps, be sure to assemble the harness in such a way that the harness will not come in contact with the welded surface.

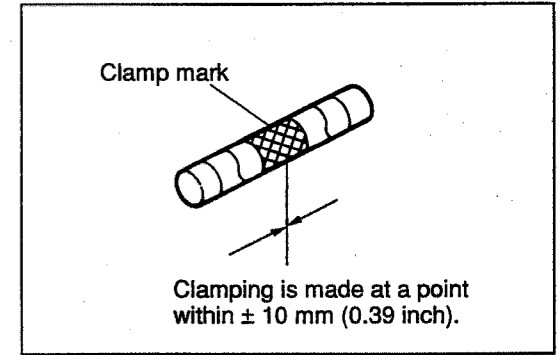
(Prevention of wire harness damage due to welding burrs)

- In case that the locating guide of the clamp position or the clamp mark is clamped, make sure that the clamp is located within the guide. As for the clamp at the clamp mark section, ensure that the clamping is made at a point within  $\pm 10$  mm (0.39 inch).

(Prevention of slackness or interference)



G2HW00014-00011



G2HW00015-00012

### (4) Terminals and connectors

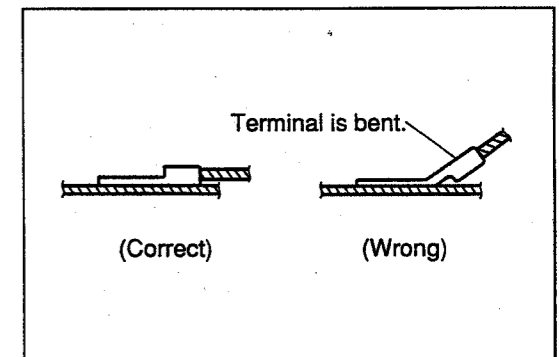
Perform the connection of connectors positively.

- Connector with lock ..... Ensure that the locking is made.
- Connector without lock ... Connect the connector positively until it stops.

G2HW00016-00000

### Retention by screws

- When the tightening torque is specified, be sure to observe the specification strictly. (The tightening torque is posted in the table separately.)
- Ensure that the staked section may not come on the assembling surface.
- After completion of the tightening operation, lightly pull out the terminal. Ensure that there is no slackness.



G2HW00017-00013

- When performing other operations, care must be exercised to ensure that no connected connector is detached by pulling out the wire harness forcibly.

G2HW00018-00000

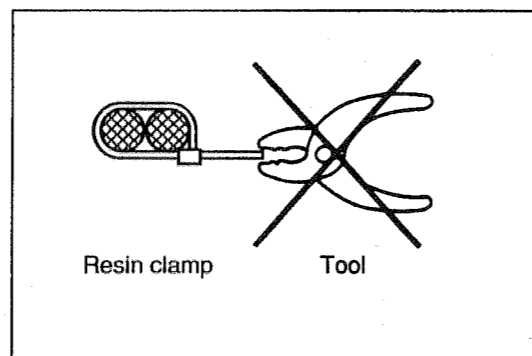
## 2. Work procedure for tightening-up type resin clamps

<Work procedure>

When the tightening-up type resin clamps are employed, do not use any pliers, cutting pliers or the like.

<Reason>

Prevention of clamps being cut or scratched



G2HW00019-00014

## WIRING HARNESES

### WARNING:

- The wire diameter and capacity of each harness have been determined to assure the normal operation of the electrical system.
- Hence, do not take power for accessories carelessly through the original wiring harness. Failure to observe this caution may cause system malfunction or fire.

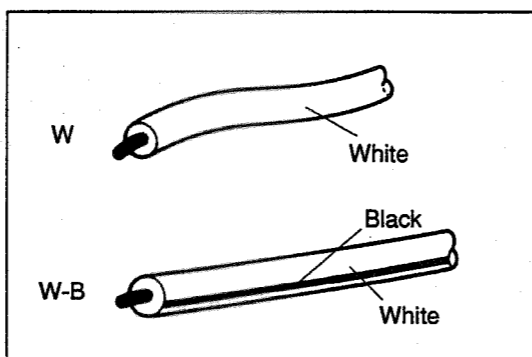
G2HW00020-00000

### Wiring color code

- For identification purpose, each wire has its own color. Each color bears a code as described in the right table. These codes are used in the wiring diagram and will be helpful during trouble shooting.

Code	Gr	Br	B
Color	Gray	Brown	Black
Code	W	R	G
Color	White	Red	Green
Code	Y	L	O
Color	Yellow	Blue	Orange
Code	P	Lg	V
Color	Pink	Light green	Violet

G2HW00021-00000



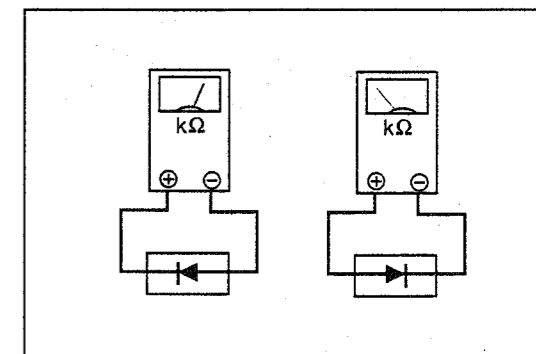
G2HW00022-00016

- The wire color comes in two kinds: single color and composite color. In the case of single color, the whole outer coat of the harness is of a single color. In the case of composite color, a fine line of the second color is drawn on the harness basic color. In this case, the code is composed of the basic color code which comes first and the second color code which comes after a hyphen.

## INSPECTION OF CIRCUIT WITH TESTER

If a diode is built in the circuit, perform continuity test by changing the polarities of the measuring terminals.

In case of a general type tester, ensure that continuity exists when the negative (-) lead of the tester is connected to the positive (+) side of the diode; the positive (+) lead of the tester to the negative (-) side of the diode. Also ensure that no continuity exists when the polarities are changed.



G2HW00023-00023

Since some testers have different polarities, be sure to read the instruction manual of a tester to be used for the check before using it.

The inspection procedure for light emitting diodes (LED) is the same as normal diodes. However, there may be cases where the LED emits no light, unless a tester with LED check mode is used. If an adequate tester is not available, apply the battery voltage to the LED and ensure that the LED emits light.

G2HW00024-00000

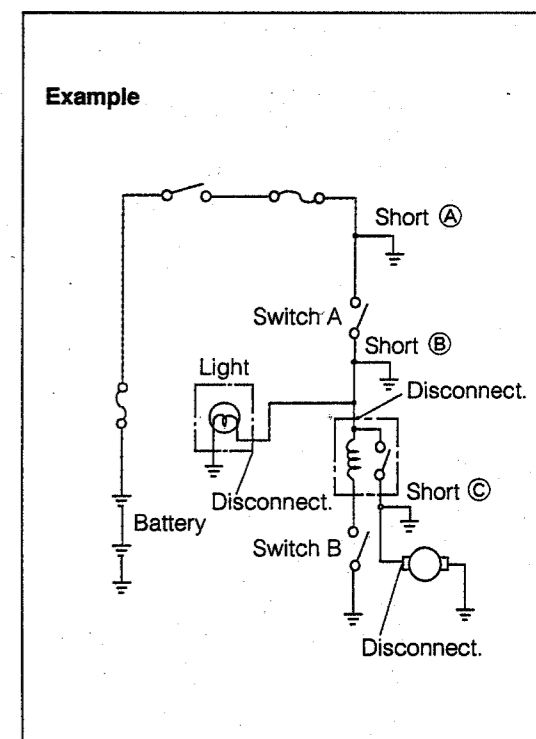
## INSPECTION OF SHORT CIRCUIT

- (1) Remove a melt fuse or fusible link.
- (2) Disconnect all connectors for loads being applied to the melt fuse.
- (3) Connect a test lamp at the position where the melt fuse or fusible link was installed.
- (4) Search for the short circuit by providing the minimum conditions which make the test lamp glow.

### Example

Short section	Connecting conditions
Ⓐ	Ignition switch is turned ON.
Ⓑ	Ignition switch and switch Ⓐ are turned ON.
Ⓒ	Ignition switch, switch Ⓐ and Ⓑ are turned ON with relay energized.

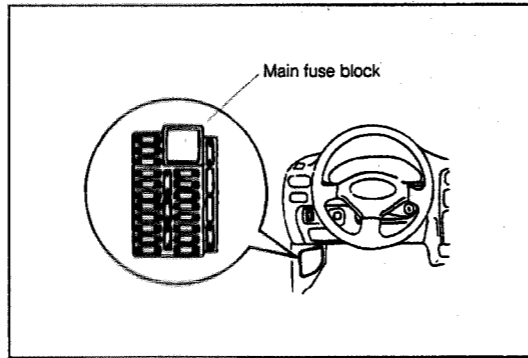
- (5) Perform repairs or wiring harness replacement, as required.



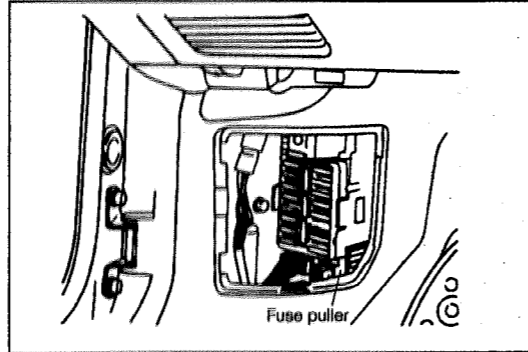
G2HW00025-00025

**JUNCTION BLOCK (Main fuse block)**

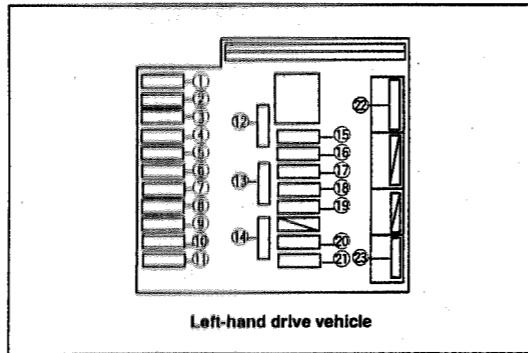
The junction block assembly is located underneath the instrument panel at the driver's foot side.



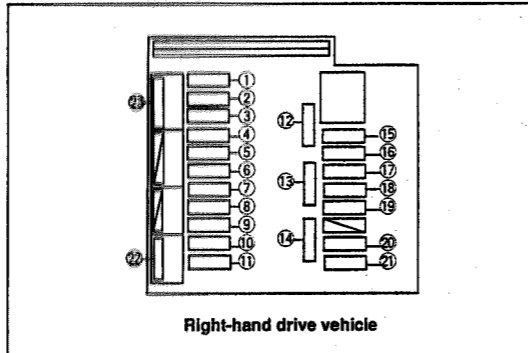
G2HW00026-00026



G2HW00027-00027



G2HW00028-00028



G2HW00029-00029

**Fuse check and replacement**

1. Turn the ignition switch off and remove the fuse box lid.
2. Make sure that the switch of the malfunctioning component is off.
3. Attach the fuse puller and pull out the fuse.
4. When replacing a fuse with a new one, be sure to install a fuse having a capacity specified at the caution plate.

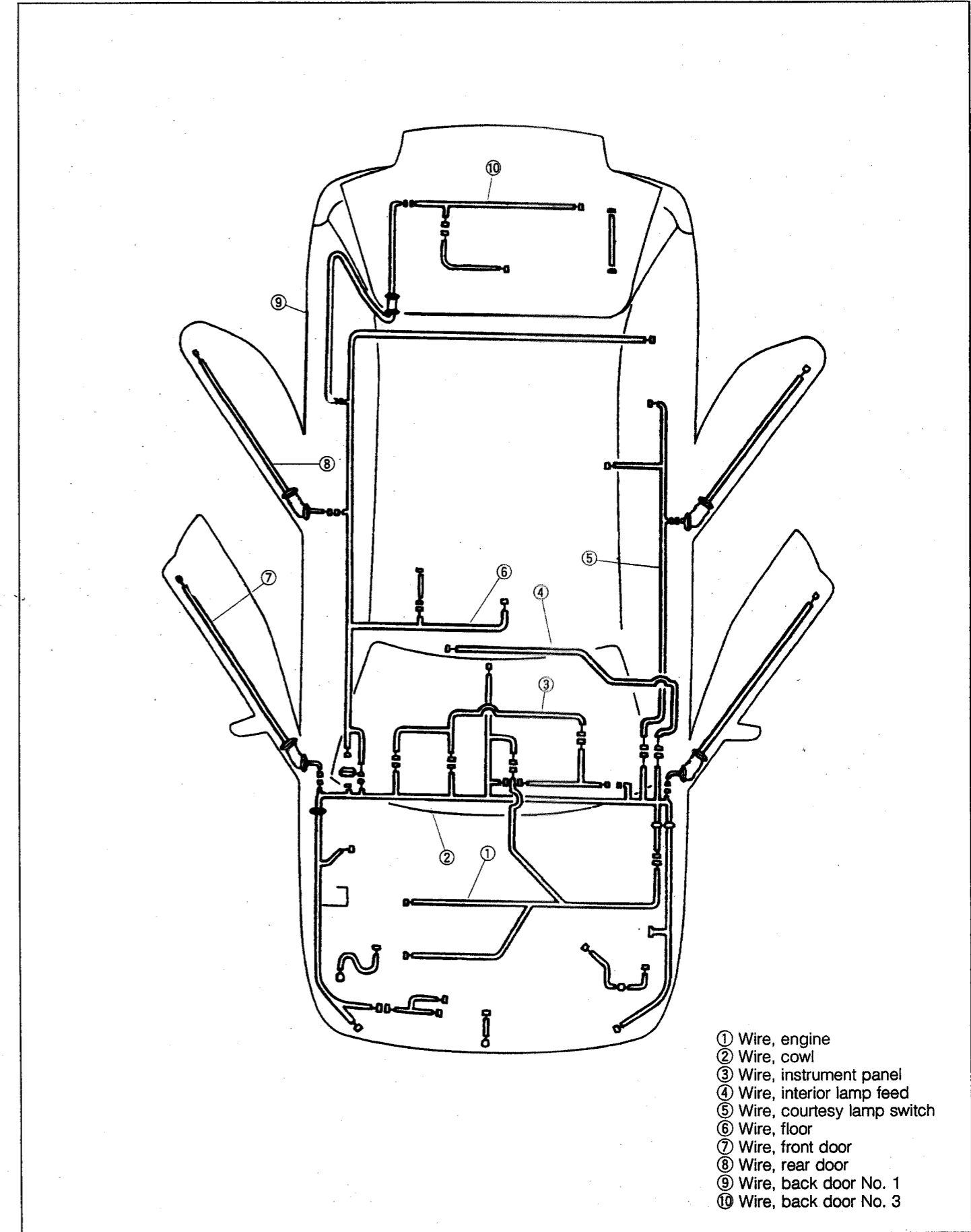
**NOTE:**

- The fuse puller is provided at the junction block.
- The fuse position should be checked by holding the caution plate.

1. Defogger 20A
2. Engine 10A
3. Radio 15A
4. None
5. Turn signal lamp 15A
6. Horn Hazard 15A
7. Wiper 15A
8. NONE
9. Gauge 10A
10. Tail lamp 10A
11. Cigarette lighter 15A

12. Spare 20A
13. Spare 15A
14. Spare 10A
15. Headlamp (Left) 15A
16. Headlamp (Right) 15A
17. None
18. Heater 30A
19. Stop lamp 15A
20. Dome 15A
21. Ignition 2 15A
22. Power No. 2 30A
23. Power No. 1 20A

**SCHEMATIC DIAGRAM OF WIRING HARNESSES**



- ① Wire, engine
- ② Wire, cowl
- ③ Wire, instrument panel
- ④ Wire, interior lamp feed
- ⑤ Wire, courtesy lamp switch
- ⑥ Wire, floor
- ⑦ Wire, front door
- ⑧ Wire, rear door
- ⑨ Wire, back door No. 1
- ⑩ Wire, back door No. 3

G2HW00030-00030

**WIRE CONNECTION**

This table shows connections between respective terminals of the wiring harness.

The terminal numbers in the right column (To) of the table are listed in an alphabetical order.

**COURTESY LAMP FEED**

From		To	
Location	Terminal	Terminal	Location
J/B (Tail fuse -, floor)	C2	C7	Rear combination lamp RH (Tail lamp +B)
Tail fuse (-)	C5	C8	Tail lamp LH
Buzzer (-)	D16	D7	Courtesy SW (Fr, LH)
Room lamp (-)	D3	D7	Courtesy SW (Fr, LH)
Room lamp (-)	D3	D9	Courtesy SW (Fr, LH)
Connect to D3-D7	D3	D9	Courtesy SW (Rr, LH)
Luggage room lamp (+)	D11	D42	Dome fuse (-)
To courtesy (Stop lamp SW (-))	E11	E14	Rear combination lamp (Stop lamp +)
J/B (Rear turn LH)	F4	F5	Rear turn RH
J/B (Rear turn RH)	F6	F7	Rear turn LH
Rear combination lamp RH (Back-up lamp +)	G4	F34	J/B Fuse, Turn
To cowl (Meter, brake)	G6	G7	Parking brake SW (+)
Meter (Fuel gauge)	H22	H23	Fuel sensor
J/B (Fuse, wiper)	I25	I26	Rear washer (Motor +)
To cowl (IG SW (AH))	P9A	P9	Sub fuse block (30A (+))
Connect to P21-P36	P21	P11	To cowl (Canvas top +)
To cowl (IG SW (IG))	P20A	P20	Sub fuse block (Hollow fuse 30A (+))
Connect to P21-P31	P21	P22	To front door (P/W master SW, +B)
To floor, master SW (Passenger, UP)	P27	P29	P/W Passenger (UP)
To floor, master SW (Passenger, DOWN)	P28	P30	P/W SW (Passenger, DOWN)
P/W C/B (-)	P21	P31	P/W SW Passenger (+B)
To front door courtesy (Master SW, RR, UP)	P32	P34	To rear door RH (P/W SW, UP)
To front door courtesy (Master SW, DOWN)	P33	P35	To rear door RH (P/W SW, DOWN)
Hollow fuse 30A (-)	P21	P36	P/W SW, Passenger (P)
P/W master SW (RL, UP)	P37	P39	P/W SW, Rr LH (UP)
P/W master SW (RL, DOWN)	P38	P40	P/W SW, Rr LH (DOWN)
Connect to P21-P31	P21	P41	P/W SW, Rr LH (+B)
Fuse (Power No. 1)	P71	P41	P/W master SW (+)
To front door (Lock SW, Unlock)	Q25	Q2	Door lock control relay (Unlock)
Lock SW (Lock)	Q24	Q4	Door lock control relay (Lock)
Connect to Q5-Q12	Q5	Q7	Door lock FL (Lock)
Connect to Q3-Q13	Q3	Q9	Door lock FL (Unlock)
Door lock relay (Lock)	Q5	Q12	Door lock (Lock)

From		To	
Location	Terminal	Terminal	Location
Door lock relay (Unlock)	Q3	Q13	Door lock (Unlock)
Sub fuse block (30A (-))	P10	Q16	Door lock control relay (+B)
Radio speaker Rr LH (+)	R30	R34	Speaker Rr LH (+)
Radio speaker Rr LH (-)	R31	R35	Speaker Rr LH (-)
Connect to Z15-Z41	Z60	Z7	Floor earth
Body earth (Cowl side LH)	Z15	Z41	Fuel tank (Earth)
Connect to Z15-Z41	Z15	Z60	Door lock control relay (Earth)
Connect to Z60-R7	Z60	Z61	To front door (P/W earth)

**FRONT DOOR RH (Driver's side) / R.H.D.**

From		To	
Location	Terminal	Terminal	Location
Step lamp (-)	D23	D3	Courtesy SW
Fuse, stop (-)	E9	D21	Step lamp (-)
P/W motor, Front RH (UP)	P25	P23	P/W SW, Front RH (UP)
P/W motor, Front RH (DOWN)	P26	P24	P/W SW, Front RH (DOWN)
P/W SW, Front LH (UP)	P29	P27	P/W master SW, Front LH (UP)
P/W SW, Front LH (DOWN)	P30	P28	P/W master SW, Front LH (DOWN)
P/W SW, Rear RH (UP)	P34	P32	P/W master SW, Rear RH (UP)
P/W SW, Rear RH (DOWN)	P35	P33	P/W master SW, Rear RH (DOWN)
P/W SW, Rear LH (UP)	P39	P37	P/W master SW, Rear LH (UP)
P/W SW, Rear LH (DOWN)	P40	P38	P/W master SW, Rear LH (DOWN)
Fuse, Power No. 2	P10	P90	P/W master SW, Front LH (IG +)
Electromagnetic lock relay (1)	Q7	Q14	Electromagnetic lock (Lock)
Electromagnetic lock relay (7)	Q9	Q15	Electromagnetic lock (Unlock)
Door lock controller (Lock)	Q4	Q24	Electromagnetic lock (Lock +)
Door lock controller (Unlock)	Q2	Q25	Electromagnetic lock (Unlock +)
Connect to Z15-Z61	Z15	Q26	Electromagnetic lock (Earth)
Radio (Speaker FR +)	R10	R11	Speaker FR (+)
Radio (Speaker FR -)	R12	R13	Speaker FR (-)

**FRONT DOOR LH (Passenger's side) / R.H.D.**

From		To	
Location	Terminal	Terminal	Location
Power window SW (SU)	P29	P27	Power window master SW (FLU)
Power window SW (SD)	P30	P28	Power window master SW (FLD)
Master SW (P/W +)	P71	P31	Power window SW (+B)
Power window motor FL (UP)	P44	P42	Power window SW (UP)
Power window motor FL (DOWN)	P45	P43	Power window SW (DOWN)
Door lock controller (Lock)	Q5	Q7	Electromagnetic lock (Lock +)
Door lock controller (Unlock)	Q3	Q9	Electromagnetic lock (Unlock -)
Radio (Speaker FL +)	R6	R7	Speaker FL +

From		To	
Location	Terminal	Terminal	Location
Radio (Speaker FL -)	R8	R9	Speaker FL -

**FRONT DOOR LH (Driver's side) / L.H.D.**

From		To	
Location	Terminal	Terminal	Location
Circuit breaker (Power No. 2-)	P21	P22	P/W master SW (+B)
P/W motor FL (UP)	P25	P23	P/W SW (FLU)
P/W motor (Down)	P26	P24	P/W SW (FLD)
P/W SW (FRU)	P29	P27	P/W master SW (FRU)
P/W SW (FRD)	P30	P28	P/W master SW (FRD)
P/W SW (RRU)	P34	P32	P/W master SW (RRU)
P/W SW (RRD)	P35	P33	P/W master SW (RRD)
P/W SW (RLU)	P39	P37	P/W master SW (RLU)
P/W SW (RLD)	P40	P38	P/W master SW (RLD)
Door lock controller (Lock)	Q4	Q24	Magnetic lock (Lock +)
Door lock controller (Unlock)	Q2	Q25	Magnetic lock (Unlock)
Body earth	Z15	Z61	P/W master SW (-)

From		To	
Location	Terminal	Terminal	Location
Radio (speaker FL +)	R6	R7	Speaker FL +
Radio (speaker FL -)	R8	R9	Speaker FL -

G2HW00034-00000

**FRONT DOOR RH (Passenger's side) / L.H.D.**

From		To	
Location	Terminal	Terminal	Location
P/W SW (SU)	P29	P27	P/W master SW (FLU)
P/W SW (SD)	P30	P28	P/W master SW (FLD)
Master SW (P/W +)	P21	P31	P/W SW (+B)
P/W motor FL (UP)	P44	P42	P/W SW (UP)
P/W motor FL (DOWN)	P45	P43	P/W SW (DOWN)
Door lock controller (Lock)	Q5	Q7	Electromagnetic lock (Lock +)
Door lock controller (Unlock)	Q3	Q9	Electromagnetic lock (Unlock +)
Radio (Speaker FR +)	R10	R11	Speaker FR +
Radio (Speaker FR -)	R12	R13	Speaker FR -

G2HW00035-00000

**REAR DOOR LH**

From		To	
Location	Terminal	Terminal	Location
P/W SW (+B)	P41	P10	Fuse (Power No. 1)
P/W SW (Master SW SU)	P39	P37	P/W master SW (RL UP +)
P/W SW (Master SW SD)	P40	P38	P/W master SW (RL DOWN +)
P/W SW (Motor UP +)	P50	P52	P/W motor (UP +)
P/W SW (Motor DOWN +)	P51	P53	P/W motor (DOWN +)
Door lock relay (Lock +)	Q5	Q12	Door lock motor RL (Lock +)
Door lock relay (Unlock +)	Q3	Q13	Door lock motor RL (Unlock +)

G2HW00036-00000

**REAR DOOR RH**

From		To	
Location	Terminal	Terminal	Location
P/W SW (+B)	P36	P10	Fuse (Power No. 1)
P/W SW (Master SW SU)	P34	P32	P/W master SW (RR UP +)
P/W SW (Master SW SD)	P35	P33	P/W master SW (RR DOWN +)
P/W SW (Motor UP +)	P46	P48	P/W motor (UP +)
P/W SW (Motor DOWN +)	P47	P49	P/W motor (DOWN +)
Door lock relay (Lock +)	Q5	Q10	Door lock motor RR (Lock +)
Door lock relay (Unlock +)	Q3	Q11	Door lock motor RR (Unlock +)

G2HW00037-00000

BACK DOOR No. 1

From		To	
Location	Terminal	Terminal	Location
Stop lamp SW (-)	E11	E16	High-mount stop lamp (+)
Stop lamp SW (-)	E11	E33	Spoiler, High-mount stop lamp (+)
Connect to Z7-Z162	Z7	E34	Spoiler, High-mount stop lamp (-)
Fuse (Wiper, Washer)	I25	I29	Rear wiper motor (+)
Rear wiper SW (+)	I31	I30	Rear wiper motor (-)
Defogger SW (-)	K28	K29	Rear window defogger (+)
Body earth (Quarter RH)	Z7	Z162	Back door earth

G2HW00038-00000

BACK DOOR No. 3

From		To	
Location	Terminal	Terminal	Location
Stop lamp SW (-)	E11	E16	High-mount stop lamp (+)
Connect to Z7-Z162	Z7	E17	High-mount stop lamp (-)
Fuse (Wiper, washer)	I25	I29	Rear wiper motor (+)
Rear wiper SW (+)	I31	I30	Rear wiper motor (-)
Defogger SW (-)	K28	K29	Rear defogger (+)
Body earth (Quarter RH)	Z7	Z162	Back door earth

G2HW00039-00000

INTERIOR LAMP FEED

From		To	
Location	Terminal	Terminal	Location
Room lamp (-)	D3	D6	Courtesy SW (FR +)
Room lamp (+)	D2	D34	Fuse (Dome)

G2HW00040-00000

ENGINE, L.H.D.

From		To	
Location	Terminal	Terminal	Location
F/L 0.5 (-)	O4	A22	Lighting SW (+)
J/B Back lamp	G15	G2	Back lamp SW (+)
Meter, oil pressure	H5	H6	Oil pressure SW
Choke SW (-)	H9	H10	Water temp. SW
Meter, lamp gauge	H20	H21	Thermo. sender (+)
Radiator fan motor (-)	L4	L2	Radiator fan motor SW
IG SW (ST)	M1	M2	Starter magnet
Starter (+B)	M12	M13	Battery (+)
IG coil (-)	N7	N8	Distributor (+)
Connect to N31-019	N31	N37	Ignitor (+)
F/L (+) Battery	O102	O2	F/L 0.3 (+)
F/L (+) Battery	O102	O3	F/L 0.5 (+)
Alternator (+B)	O18	O12	IG SW (AM)
F/L 0.3 (Rad)	O101	O16	Radiator fan relay contact point (+)
Fuse, engine (-)	N31	O19	Alternator (IG)
Meter, charge lamp (-)	O20	O21	Alternator (L)
F/L 0.3 (A/C)	O83	O32	A/C relay contact point (+)
Alternator (+B)	O18	O62	F/L 1.25 (-)
F/L (Battery)	O8	O63	F/L 1.25 (+)
F/L 0.3 (A/C) BATT	O84	O103	F/L 0.3 (+)
Connect to N31-019	N31	Y3	Emission control vacuum SW (+)
Connect to N31-019	N31	Y5	Fuel cut
Emission control vacuum SW (-)	Y4	Y5	Emission control fuel cut solenoid (+)
Back lamp SW (-)	G3	Z3	Body earth

G2HW00041-00000

ENGINE, R.H.D.

From		To	
Location	Terminal	Terminal	Location
F/L 0.5 (-)	O4	A22	Lighting SW (+)
J/B Back lamp	G15	G2	Back lamp SW (+)
Meter, oil pressure	H5	H6	Oil pressure SW
Choke SW (-)	H9	H10	Water temp. SW
Meter, lamp gauge	H20	H21	Thermo. sender (+)
Radiator fan relay coil	L4	L2	Radiator fan motor SW
IG SW (ST)	M1	M2	Starter magnet
Starter (+B)	M12	M13	Battery
IG coil (-)	N7	N8	Distributor (+)
Connect to N31-019	N31	N37	Ignitor (+)
F/L (+) Battery	O102	O2	F/L 0.3 (+)
F/L (+) Battery	O102	O3	F/L 0.5 (+)
Alternator (+B)	O18	O12	IG SW (AM)
F/L 0.3 (Rad)	O101	O16	Radiator fan relay contact point (+)
Fuse, engine (-)	N31	O19	Alternator (IG)
Meter, charge lamp (-)	O20	O21	Alternator (L)
F/L 0.3 (A/C)	O83	O32	A/C relay contact point (+)
Alternator (+B)	O18	O62	F/L 1.25 (-)
F/L (Battery)	O8	O63	F/L 1.25 (+)
F/L 0.3	O84	O103	F/L 0.3 (+)
Fuel control relay coil (-)	Y8	Y3	Emission control vacuum SW (+)
Fuel control relay SW (-)	Y9	Y5	Emission control fuel cut solenoid
Connect to Y9-Y5	Y9	Y12	Emission control VSV (+)
Connect to Y4-Y9	Y4	Y13	VSV (-)
Connect to N31-018	N31	Y14	Outer vent valve (+)
Connect to N31-019	N31	Y14	Outer vent valve (+)
Back lamp SW (-)	G3	Z3	Body earth
Emission control vacuum SW (-)	Y4	Z9	Body earth

G2HW00100-000



## COWL, L.H.D.

From		To	
Location	Terminal	Terminal	Location
J/B 6 (Headlight fuse LH -)	A1	A2	Headlight LH (+)
Connect to A7-A17	A7	A3	Headlight LH (Hi)
Connect to A8-A18	A8	A4	Headlight LH (Lo)
Connect to A6-A11A	A6	A10	Meter 1 (Beam +)
J/B 6 (Headlight fuse RH -)	A5	A10A	J/C 1
Connect to A7-A17	A7	A11	Meter 1 (Beam -)
Headlight RH (+)	A6	A11A	J/C 1
Headlight RH (Hi)	A7	A17	Multi-control SW (Dimmer Hi)
Headlight RH (Lo)	A8	A18	Multi-control SW (Dimmer Lo)
To engine 1 (FL main -)	O4	A22	Multi-control SW (Lighting SW +)
Multi-control SW (Lighting SW -)	A23	A24	J/B 3 (Lighting SW)
J/B 5 (Tail fuse -2)	C11	C1A	J/C 2
Meter 1 (Illumi. +)	C21	C2A	J/C 2
Connect to O18-O12	O18	C4	Multi-control SW (Tail SW +)
J/B 4 (Tail fuse -1)	C9	C10	Clearance RH (+)
J/B 4 (Tail fuse -)	C6	C12	Clearance LH (+)
Connect to D3A-D2	D3A	C29	To instrument panel 1 (Clock +B)
Multi-control SW (Rear fog -)	C37	C38	To instrument panel (Rear fog SW)
Multi-control SW (Tail SW -)	C13	C45	J/B 3 (Tail fuse +)
To instrument panel 2 (Rear fog SW -)	C39	C71	To floor (Rear fog RH +)
J/B 6 (Tail LH, power supply)	C80	C102	J/B 5 (Tail fuse -)
J/B 6 (Fog fuse -)	C56	C103	Multi-control SW (Rear fog +)
Connect to C21-C2A	C21	C112	Heater control (Illumi. +)
Connect to Z192-G3	Z192	C113	Heater control (Illumi. earth)
J/C 1	H5A	C114	Tail buzzer (IG +)
Connect to C80-C102	C80	C115	Tail buzzer (Tail)
J/B 4 (Dome fuse -)	D34	D2A	J/C 2
To interior lamp (Room lamp +)	D2	D3A	J/C 2
Connect to D3-D9	D3	D8	To floor (Courtesy SW, RR)
To interior lamp (Room lamp -)	D3	D9	To courtesy 1 (Courtesy SW, RL)
Connect to D34-D2A	D2A	D13	Key SW (SW +)
To courtesy 1 (Courtesy SW FL)	D7	D16	Tail buzzer (Courtesy SW)
Connect to D3-D9	D3	D30	Tail buzzer diode (+)
Connect to D7-D16	D7	D31	Tail buzzer diode (-)
To courtesy 1 (Stop lamp)	E14	E1A	J/C 2

From		To	
Location	Terminal	Terminal	Location
Stop lamp SW (-)	E11	E2A	J/C 2
Horn	E26	E4	Multi-control SW (Horn SW)
J/B 5 (Stop lamp fuse -)	E9	E10	Stop lamp SW (+)
J/B 5 (Horn fuse -)	E1	E25	Horn (+)
J/B 4 (Front turn LH)	F8	F9	Front turn LH (+)
Connect to Z4-Z15B	Z4	F10	Front turn LH (Earth)
J/B 4 (Side turn LH)	F44	F11	Side turn LH (+)
Connect to Z4-Z15B	Z4	F12	Side turn LH (Earth)
J/B 4 (Front turn RH)	F13	F14	Front turn RH (+)
Body earth RH (Earth)	Z106	F15	Front turn RH (Earth)
Connect to Z106-Z32	Z106	F15	Front turn RH (Earth)
J/B 4 (Side turn RH)	F43	F16	Side turn RH (+)
Connect to Z3-Z14B	Z3	F17	Side turn RH (Earth)
J/B 5 (Indicator LH)	F18	F19	Meter 2 (Indicator LH +)
J/B 5 (Indicator RH)	F20	F21	Meter 2 (Indicator RH +)
To instrument panel 2 (Hazard SW -)	F38	F26	J/B 4 (Flasher relay B)
J/B 4 (Hazard fuse -)	F40	F35	To instrument panel (Hazard SW TB)
J/B 4 (Flasher relay L)	F27	F41	To instrument panel 2 (Hazard SW +)
To instrument panel 2 (Hazard SW TR)	F36	F45	J/B 5 (Hazard RH)
To instrument panel 2 (Hazard SW TL)	F37	F46	J/B 5 (Hazard LH)
To floor (Back-up lamp RH -)	G15	G1A	J/C 2
To engine 2 (Back-up SW)	G2	G2A	J/C 2
J/B 5 (Earth)	Z192	G3	To engine 2 (Back lamp SW earth)
Meter 2 (Parking brake)	G9	G7	To courtesy (Parking brake)
J/C 1	G13A	G7	To courtesy 1 (Parking brake)
Brake fluid SW (+)	G8	G11A	J/C 1
Meter 2 (Brake)	G6	G12A	J/C 1
J/B 5 (Gauge fuse -)	H1	H1A	J/C 1
Meter 1 (IG)	H2	H2A	J/C 1
Meter (Oil pressure)	H5	H6	To engine (Oil pressure SW +)
Meter 1 (Choke -)	H7	H8	Choke SW (+)
Choke SW (-)	H9	H10	To engine 2 (Water temp. SW)
Meter (T gauge)	H20	H21	To engine (Coolant temp. sender +)
Meter (F gauge)	H22	H23	To courtesy 1 (Fuel sender +)
Connect to K28-K10A	K28	H55	Meter (Defogger indicator)
To courtesy lamp (Seat belt SW)	H19	H56	Meter (Seat belt IND.)
Connect to I21-I22	I21	I2	Front washer motor (+)

From		To	
Location	Terminal	Terminal	Location
Front washer motor (-)	I3	I4	Multi-control SW (Washer motor +)
Multi-control SW (Front wiper SW Lo)	I11	I18	Front wiper motor (Lo)
Multi-control SW (Front wiper SW Hi)	I12	I20	Front wiper motor (Hi)
J/B 6 (Wiper fuse -)	I21	I22	Front wiper motor (Cam SW +)
Multi-control SW (Front wiper SW OFF)	I13	I24	Front wiper motor (Cam SW common)
To floor (Washer motor -)	I27	I28	To instrument panel 1 (Rear washer SW +)
To floor (Wiper motor -)	I30	I31	To instrument panel 1 (Rear wiper SW +)
Heater relay (Contact point -)	K11	K2	Blower motor (+)
Connect to K30-K4	K30	K3	Blower resistor (+)
Blower motor (-)	K30	K4	Heater control (Hi)
Blower resistor (M1)	K5	K6	Heater control (M1)
Connect to Z3-Z14B	Z3	K7	Blower resistor (Earth)
J/B 6 (Heater fuse -)	K1	K10	Heater relay (Contact point +)
To instrument panel 2 (Defogger SW -)	K28	K10A	J/C 1
To floor (Defogger +)	K29	K11A	J/C 1
J/C 1	H6A	K12	Heater relay (Coil +)
Connect to K11-K2	K11	K14	A/C fuse (+)
Connect to K129-K151	K129	K18	VSV (VSV +)
Diode 6 (-)	X248	K20A	J/C 2
Heater control (Lo)	K8	K21A	J/C 2
To A/C 1 (Amp. Magnet clutch)	K50	K22	To A/C 2 (Magnet clutch)
J/B 6 (Defogger fuse -)	K26	K27	To instrument panel 2 (Defogger SW +)
Blower resistor (M2)	K41	K42	Heater control (M2)
Connect to K156-K179	K156	K96	To engine 2 (2-way coolant temp. SW)
J/B 5 (Earth)	Z189	K109	To A/C 1 (Amp. earth)
Connect to K129-K151	K129	K145	To A/C 2 (Dual pressure SW +)
To A/C 2 (Dual pressure SW -)	K146	K150	To A/C 1 (Amp. contact point +)
To A/C 1 (Amp. power supply)	K129	K151	A/C fuse (-)
Radiator fan motor (-)	L1	K153	A/C relay No. 2 (Contact point +)
J/C 2	N4A	K155	To A/C 2 (A/C relay No. 1 coil +)
J/C 1	N20A	K157	To A/C 1 (Tachometer pulse)
A/C relay No. 2 (Coil -)	K156	K179	To A/C 2 (Pressure SW)
To A/C 2 (CDS motor +)	K181	K180	A/C relay No. 2 (Contact point -)
Radiator fan relay (Coil -)	L24	K182	To A/C 1 (A/C amp. relay -)

From		To	
Location	Terminal	Terminal	Location
VSV (VSV -)	K19	K185	To A/C 1 (Amp. VSV No. 1 -)
To A/C 1 (Amp. A/C cut)	K138	K188	To engine 2 (A/C coolant temp. cut SW)
Radiator fan relay (Coil -)	L4	L1A	J/C 1
To engine 1 (Radiator fan SW +)	L2	L2A	J/C 1
Connect to N4A-K155	N4A	L3	A/C relay No. 2 (Coil +)
To engine 1 (Radiator fan FL -)	O101	L19	Radiator fan relay (Contact point +)
IG SW (ST)	M1	M2	To engine 1 (Starter)
To engine 2 (Alternator IG)	O19	N1A	J/C 2
IG SW (IG1)	N1	N2	J/B 2 (IG fuse +)
J/B 6 (Engine fuse -)	N31	N2A	J/C 2
J/C 2	N5A	N5	IG coil (IG)
Radiator fan relay	O14	N6A	J/C 2
Connect to N7-N21A	N7	N8	To engine 1 (Distributor IG pulse)
IG coil (Distributor)	N7	N21A	J/C 1
Meter 1 (Tachometer pulse)	N11	N22A	J/C 1
J/C 2	N7A	N57	Condenser (+)
To engine 1 (Alternator +B)	O18	O12	Confront with O12X
Batted with -O12	O12	O12X	IG SW (AM)
Connect to O4-A22	O4	O13	J/B 3 (Horn hazard fuse -)
Radiator fan relay (Contact point -)	O17	O15	Radiator fan motor (+)
Meter (Charge lamp -)	O20	O21	To engine 2 (Alternator L)
To engine 2 (CDS FL -)	O83	O32	To A/C 2 (A/C relay No. 1 contact point +)
Connect to O18-O12	O18	O95	J/B 1 (AM-related fuse +)
Connect to O18-O12	O18	P9	To courtesy 1 (Power No. 1 30A +)
Connect to N1-N2	N1	P20	To courtesy 1 (Power No. 2 C/B 30A +)
IG SW (ACC)	R1	R2	J/B (ACC-related fuse +)
To instrument panel 1 (Radio FL +)	R6	R7	To door LH (Speaker FL +)
To instrument panel 1 (Radio FL -)	R8	R9	To door LH (Speaker FL -)
To instrument panel 1 (Radio FR +)	R10	R11	To door RH (Speaker FR +)
To instrument panel 1 (Radio FR -)	R12	R13	To door RH (Speaker FR -)
To instrument panel 1 (Remote-controlled mirror SW VL)	R18	R22	To door LH (Remote-controlled mirror VL)
To instrument panel 1 (Remote-controlled mirror SW HL)	R20	R23	To door LH (Remote-controlled mirror HL)
To instrument panel 1 (Remote-controlled mirror SW VR)	R19	R24	To door RH (Remote-controlled mirror VR)
To instrument panel 1 (Remote-controlled mirror SW HR)	R21	R25	To door RH (Remote-controlled mirror HR)

From		To	
Location	Terminal	Terminal	Location
To instrument panel 1 (Remote-controlled mirror SW motor)	R17	R26	To door RH
Connect to R17-R20	R17	R27	To door LH
To instrument panel 1 (Radio RR +)	R28	R32	To floor (Speaker RR +)
To instrument panel 1 (Radio RR -)	R29	R33	To floor (Speaker RR -)
To instrument panel 1 (Radio RL +)	R30	R34	To courtesy 1 (Speaker RL +)
To instrument panel 1 (Radio RL -)	R31	R35	To courtesy 1 (Speaker RL -)
Heater relay (Coil -)	K13	X247	Diode 6 (+)
Connect to Z3-Z14B	Z3	Z7	To floor (Earth)
J/B 5 (Earth)	Z181	Z8	Meter 2 (Power earth)
J/B 6 (Earth)	Z188	Z11	Brake fluid level SW (Earth)
Body earth RH (Earth)	Z3	Z14B	Body earth J/C RH (Earth)
Body earth J/C LH (Earth)	Z15C	Z14C	Body earth J/C RH (Earth)
Body earth LH (Earth)	Z4	Z15B	Body earth J/C LH (Earth)
Connect to Z15C-Z14C	Z15C	Z21	Heater control (Heater control SW earth)
Body earth J/C RH (Earth)	Z14A	Z30	To instrument panel 1 (Radio earth)
Body earth RH (Earth)	Z106	Z32	To A/C 2 (CDS motor)
Connect to Z4-Z15B	Z4	Z41	To courtesy (Earth)
Body earth LH (Earth)	Z195	Z45	A/C relay No. 2 (Contact point -)
Connect to Z15C-Z14C	Z15C	Z63	J/B 6 (Earth)
Connect to Z15C-Z14C	Z15C	Z75	Multi-control SW (Earth)
Body earth J/C LH (Earth)	Z15D	Z85	Meter 2 (Gauge earth)
Connect to Z3-Z14B	Z3	Z145	Clearance RH (Earth)
Connect to Z4-Z15B	Z4	Z146	Clearance LH (Earth)
Body earth J/C LH (Earth)	Z15A	Z152	Heater relay (Stop earth)
Radiator fan motor (-)	L1	Z195	Body earth LH (Earth)

G2HW00042-00000

COWL, R.H.D.

From		To	
Location	Terminal	Terminal	Location
J/B 6 (Headlight fuse LH -)	A1	A2	Headlight LH (+)
Connect to A7-A17	A7	A3	Headlight LH (Hi)
Connect to A8-A18	A8	A4	Headlight LH (Lo)
Connect to A6-A11A	A6	A10	Meter 1 (Beam +)
J/B 6 (Headlight fuse RH -)	A5	A10A	J/C 1
Connect to A7-A17	A7	A11	Meter 1 (Beam -)
Headlight RH (+)	A6	A11A	J/C 1
Headlight RH (Hi)	A7	A17	Multi-control SW (Dimmer Hi)
Headlight RH (Lo)	A8	A18	Multi-control SW (Dimmer Lo)
To engine 1 (FL main -)	O4	A22	Multi-control SW (Lighting SW +)
Multi-control SW (Lighting SW -)	A23	A24	J/B 3 (Lighting SW)
J/B 5 (Tail fuse -2)	C11	C1A	J/C 2
Meter 1 (Illumi. +)	C21	C2A	J/C 2
Connect to O18-O12	O18	C4	Multi-controlled SW (Tail SW +)
J/B 4 (Tail fuse -1)	C9	C10	Clearance RH (+)
J/B 4 (Tail fuse -)	C6	C12	Clearance LH (+)
Connect to D2-D3A	D2	C29	To instrument panel (Clock +B)
Multi-control SW (Tail SW -)	C13	C45	J/B (Tail fuse +)
To instrument panel 1	Z166	C65	Meter 1 (Illumi. -)
J/B 6 (Tail LH power supply)	C80	C102	J/B 5 (Tail fuse -)
Connect to C21-C2A	C21	C112	Heater control (Illumi. +)
Connect to Z166-C65	Z166	C113	Heater control (Illumi. earth)
Connect to H2-H2A	H2	C114	Tail buzzer (IG +)
Connect to C80-C102	C80	C115	Tail buzzer (Tail)
J/B 4 (Dome fuse -)	D34	D2A	J/C 2
To interior lamp (Room lamp +)	D2	D3A	J/C 2
Connect to D3-D9	D3	D8	To floor (Courtesy SW RR)
To interior lamp (Room lamp -)	D3	D9	To courtesy 1 (Courtesy SW RL)
To courtesy 1 (Courtesy SW FL)	D7	D16	Tail buzzer (Courtesy SW)
To floor (Stop lamp)	E14	E1A	J/C 2
Stop lamp SW (-)	E11	E2A	J/C 2
Horn (-)	E26	E4	Multi-control SW (Horn SW)
J/B 5 (Stop fuse -)	E9	E10	Stop lamp SW (+)
J/B 5 (Horn fuse -)	E1	E25	Horn (+)
To instrument panel 1 (Hazard SW)	F42	F2	Meter 2 (Red hazard)
J/B 4 (Front turn LH)	F8	F9	Front turn LH (+)
Connect to Z4-Z15B	Z4	F10	Front turn LH (Earth)

From		To	
Location	Terminal	Terminal	Location
J/B 4 (Side turn LH)	F44	F11	Side turn LH (+)
Connect to Z4-Z15B	Z4	F12	Side turn LH (Earth)
J/B 4 (Front turn RH)	F13	F14	Front turn RH (+)
Connect to Z3-Z14B	Z3	F15	Front turn RH (Earth)
J/B 4 (Side turn RH)	F43	F16	Side turn RH (+)
Connect to Z3-Z14B	Z3	F17	Side turn RH (Earth)
J/B 5 (Indicator LH)	F18	F19	Meter 2 (Indicator LH +)
J/B 5 (Indicator RH)	F20	F21	Meter 2 (Indicator RH +)
To instrument panel 2 (Hazard SW -)	F38	F26	J/B 4 (Flasher relay B)
J/B 4 (Hazard fuse -)	F40	F35	To instrument panel 2 (Hazard SW +B)
J/B 4 (Flasher -L)	F27	F41	To instrument panel 2 (Hazard SW +)
To instrument panel 2 (Hazard SW TR)	F36	F45	J/B 5 (Hazard RH)
To instrument panel 2 (Hazard SW TL)	F37	F46	J/B 5 (Hazard LH)
To floor (Back lamp RH -)	G15	G1A	J/C 2
To engine 2 (Brake lamp SW)	G2	G2A	J/C 2
J/B 5 (Earth)	Z192	G3	To engine 2 (Back lamp SW earth)
Connect to G6-G8	G6	G7	To floor (Parking brake)
Meter 2 (Brake)	G6	G8	Brake fluid level SW (+)
J/B 5 (Gauge fuse -)	H1	H1A	J/C 1
Meter 1 (IG)	H2	H2A	J/C 1
Meter 1 (Oil pressure)	H5	H6	To engine 2 (Oil pressure SW +)
Meter 1 (Choke)	H7	H8	Choke SW (+)
Choke SW (-)	H9	H10	To engine 2 (Water temp. SW)
Meter 2 (Temp. gauge)	H20	H21	To engine 2 (Coolant temp. sender +)
Meter 1 (Fuel gauge)	H22	H23	To courtesy 1 (Fuel sender +)
Connect to K28-K10A	K28	H55	Meter 2 (Defogger indicator)
Connect to I21-I22	I21	I2	Front washer motor (+)
Front washer motor (-)	I3	I4	Multi-control SW (Washer motor +)
Multi-control SW (Front wiper SW Lo)	I11	I18	Front wiper motor (Lo)
Multi-control SW (Front wiper SW Hi)	I12	I20	Front wiper motor (Hi)
J/B 6 (Wiper fuse -)	I21	I22	Front wiper motor (Cam SW +)
Multi-control SW (Front wiper SW OFF)	I13	I24	Front wiper motor (Cam SW common)
To floor (Washer motor)	I27	I28	To instrument panel 1 (Rear washer SW +)
To floor (Wiper motor)	I30	I31	To instrument panel 1 (Rear wiper SW +)

From		To	
Location	Terminal	Terminal	Location
Heater relay (Contact point -)	K11	K2	Blower motor (+)
Connect to K30-K4	K30	K3	Blower resistor (+)
Blower motor (-)	K30	K4	Heater control (Hi)
Blower resistor (M1)	K5	K6	Heater control (M1)
Body earth J/C LH (Earth)	Z15A	K7	Blower resistor (Earth)
J/B 6 (Heater fuse -)	K1	K10	Heater relay (Contact point +)
To instrument panel 2 (Defogger SW -)	K28	K10A	J/C 1
To floor (Defogger +)	K29	K11A	J/C 1
Connect to H2-H2A	H2	K12	Heater relay (Coil +)
Connect to K11-K2	K11	K14	A/C fuse (+)
Connect to K129-K151	K129	K18	VSV (+)
Diode 6 (-)	X248	K20A	J/C 2
Heater control (Lo)	K8	K21A	J/C 2
To A/C 1 (Amp., Magnet clutch)	K50	K22	To A/C 2 (Magnet clutch)
J/B 6 (Defogger fuse -)	K26	K27	To instrument panel 2 (Defogger SW +)
Blower resistor (M2)	K41	K42	Heater control (M2)
Connect to K156-K179	K156	K96	To engine 2 (2-way coolant temp. SW)
J/B 5 (Earth)	Z189	K109	To A/C 1 (Amp. earth)
Connect to K129-K151	K129	K145	To A/C 2 (Dual pressure SW +)
To A/C 2 (Dual pressure SW -)	K146	K150	To A/C 1 (Amp. contact point +)
To A/C 1 (Amp. power supply)	K129	K151	A/C fuse (-)
Radiator fan motor (-)	L1	K153	A/C relay No. 2 (Contact point +)
J/C 2	N4A	K155	To A/C 2 (A/C relay No. 1 coil +)
Connect to N7-N11	N7	K157	To A/C 1 (Tachometer pulse)
A/C relay No. 2 (Coil -)	K156	K179	To A/C 2 (Pressure SW)
To A/C 2 (CDS motor +)	K181	K180	A/C relay No. 2 (Contact point -)
Connect to L4-L1A	L4	K182	To A/C 1 (A/C amp. relay -)
VSV (VSV -)	K19	K185	To A/C 1 (Amp. VSV No. 1 -)
To A/C 1 (AMP A/C cut)	K138	K188	To engine 2 (A/C coolant temp. cut SW)
Radiator fan relay (Coil -)	L4	L1A	J/C 1
To engine 2 (Radiator fan SW +)	L2	L2A	J/C 1
Connect to N4A-K155	N4A	L3	A/C relay No. 2 (Coil +)
To engine 1 (Radiator fan FL -)	O101	L19	Radiator fan relay (Contact point +)
IG SW (Starter)	M1	M2	To engine 1 (Starter)
To engine 2 (Alternator IG)	O19	N1A	J/C 2
IG SW (IG1)	N1	N2	J/B 2 (IG fuse +)
J/B 6 (Engine fuse -)	N31	N2A	J/C 1

From		To	
Location	Terminal	Terminal	Location
J/C 2	N5A	N5	IG coil (IG)
Radiator fan relay	O14	N6A	J/C 1
Connect to N7-N11	N7	N8	To engine 1 (Distributor IG pulse)
IG coil (Distributor)	N7	N11	Meter (tachometer pulse)
J/C 2	N7A	N57	Condenser (+)
To engine 1 (Alternator +B)	O18	O12	Batted with O12X
Batted with -O12	O12	O12X	IG SW (AM)
Connect to O4-A22	O4	O13	J/B 3 (Horn hazard fuse -)
Radiator fan relay (Contact point -)	O17	O15	Radiator fan motor (+)
Meter 2 (Change lamp -)	O20	O21	To engine 2 (Alternator L)
To engine 1 (CDS FL -)	O83	O32	To A/C 2 (A/C relay No. 1 contact point +)
Connect to O18-O12	O18	O95	J/B 1 (AM-related fuse +)
Connect to O18-O12	O18	P9	To floor (Power No. 1 30A +)
Connect to N1-N2	N1	P20	To floor (Power No. 2 C/B 30A +)
IG SW (ACC)	R1	R2	J/B 3 (ACC-related fuse +)
To instrument panel 1 (Radio FL +)	R6	R7	To door LH (Speaker FL +)
To instrument panel 1 (Radio FL -)	R8	R9	To door LH (Speaker FL -)
To instrument panel 1 (Radio FR +)	R10	R11	To door RH (Speaker FR +)
To instrument panel 1 (Radio FR -)	R12	R13	To door RH (Speaker FR -)
To instrument panel 1 (SW VL)	R18	R22	To door LH (VL)
To instrument panel 1 (SW HL)	R20	R23	To door LH (HL)
To instrument panel 1 (SW VR)	R19	R24	To door RH (VR)
To instrument panel 1 (SW HR)	R21	R25	To door RH (HR)
To instrument panel 1 (SW motor)	R17	R26	To door RH (-)
Connect to R17-R26	R17	R27	To door LH (-)
To instrument panel 1 (Radio RR +)	R28	R32	To floor (Speaker RR +)
To instrument panel 1 (Radio RR -)	R29	R33	To floor (Speaker RR -)
To instrument panel 1 (Radio RL +)	R30	R34	To courtesy 1 (Speaker RL +)
To instrument panel 1 (Radio RL -)	R31	R35	To courtesy 1 (Speaker RL -)
Heater relay (Coil -)	K13	X247	Diode 6 (+)
Fuel cut relay coil (-)	Y8	Y3	To engine 2 (Vacuum SW +)
Fuel cut relay terminal (-)	Y9	Y5	To engine 2 (Fuel cut +)
Connect to N31-N2A	N31	Y10	Fuel cut relay (+)
Connect to N31-N2A	N31	Y11	Fuel cut relay coil (+)
Connect to Z3-Z14B	Z3	Z7	To floor (Earth)
J/B 5 (Earth)	Z181	Z8	Meter 2 (Power earth)

From		To	
Location	Terminal	Terminal	Location
J/B 6 (Earth)	Z188	Z11	Brake fluid level SW (Earth)
Body earth RH (Earth)	Z3	Z14B	Body earth J/C RH (Earth)
Body earth J/C LH (Earth)	Z15C	Z14C	Body earth J/C RH (Earth)
Body earth LH (Earth)	Z4	Z15B	Body earth J/C LH (Earth)
Connect to Z15C-Z14C	Z15C	Z21	Heater control (Heater control SW earth)
Body earth J/C RH (Earth)	Z14D	Z30	To instrument panel 1 (Radio earth)
Body earth RH (Earth)	Z106	Z32	To A/C 2 (CDS motor)
Connect to Z4-Z15B	Z4	Z41	To courtesy (Earth)
Body earth LH (Earth)	Z195	Z45	A/C relay No. 2 (Contact point -)
Connect to Z15C-Z14C	Z15C	Z63	J/B 6 (Earth)
Connect to Z15C-Z14C	Z15C	Z75	Multi-control SW (Earth)
Body earth J/C LH (Earth)	Z15E	Z85	Meter 2 (Gauge earth)
Connect to Z3-Z14B	Z3	Z145	Clearance RH (Earth)
Connect to Z4-Z15B	Z4	Z146	Clearance LH (Earth)
Body earth J/C LH (Earth)	Z14A	Z152	Heater relay (Stop earth)
Connect to Z3-Z14B	Z3	Z210	Buzzer (-)

INSTRUMENT PANEL

From		To	
Location	Terminal	Terminal	Location
Connect to C15-C106	C15	C20	Ashtray illumi. (+)
Connect to C15-C106	C15	C22	Clock (Dimmer +)
Connect to C15 -C106	C15	C28	Radio (illum. +)
Connect to D43-C30	D43	C29	Clock (Back-up)
Connect to D51-C30	D51	C29	Clock, break
Break terminal (-)	D51	C30	Radio, back-up
Multi-control SW (RF)	C37	C38	Rear fog lamp SW (+)
Rear fog lamp RH (+)	C71	C39	Rear fog lamp SW (-)
J/B (Fuse, tail)	C15	C43	Rheostat (T)
Connect to Z31-Z166	C107	C44	Rheostat (L)
J/B (Fuse, tail)	C15	C106	Hazard SW (Illumi. +)
Connect to Z31-Z166	Z31	C107	Hazard SW (Illumi. earth)
Connect to Z31-Z166	Z31	C113	Heater control illumi. (-)
J/B (Fuse, dome)	D43	D50	Break terminal (+)
Fuse, hazard	F40	F35	Hazard SW (Hazard +)
J/B (Hazard RH)	F45	F36	Hazard SW (TR)
J/B (Hazard LH)	F46	F37	Hazard SW (TL)
Flasher relay +	F26	F38	Hazard SW (Hazard L)
Flasher relay L	F27	F41	Hazard SW (TB)
Fuse, turn	F47	F49	Hazard SW (Turn cancel)
Rear washer motor (-)	I27	I28	Rear wiper SW (Rear washer)
Rear wiper motor (-)	I30	I31	Rear wiper SW (Rear wiper)
Fuse, defogger	K26	K27	Defogger SW (+)
Rear, defogger +	K29	K28	Defogger SW (-)
J/B (Fuse, radio)	R3	R4	Radio (ACC power source)
Connect to R14-R15	R14	R5	Clock (Indicator +)
Speaker Fr LH (FL +)	R7	R6	Radio (Speaker FL +)
Speaker Fr LH (FL -)	R9	R8	Radio (Speaker FL -)
Speaker Fr RH (FL +)	R11	R10	Radio (Speaker FR +)
Speaker Fr RH (FL -)	R13	R12	Radio (Speaker FR -)
J/B (Fuse, cigarette lighter)	R14	R15	Cigarette lighter (+)
Connect to Z31-Z166	Z31	Z18	Rear wiper SW (Earth)
Connect to Z31-Z166	Z31	Z24	Ashtray illumi. (Earth)
Connect to Z31-Z166	Z31	Z25	Clock (Earth)
Body ertth (Cowl inner RH)	Z14	Z30	Radio (ground)
Connect to Z31-Z166	Z31	Z43	Rear fog lamp SW (ON indicator earth)
Connect to Z43	Z43	Z44	Rheostat (-)
Cigarette lighter (Earth)	Z31	Z166	J/B (Instrument panel earth)

G2HW00044-00000

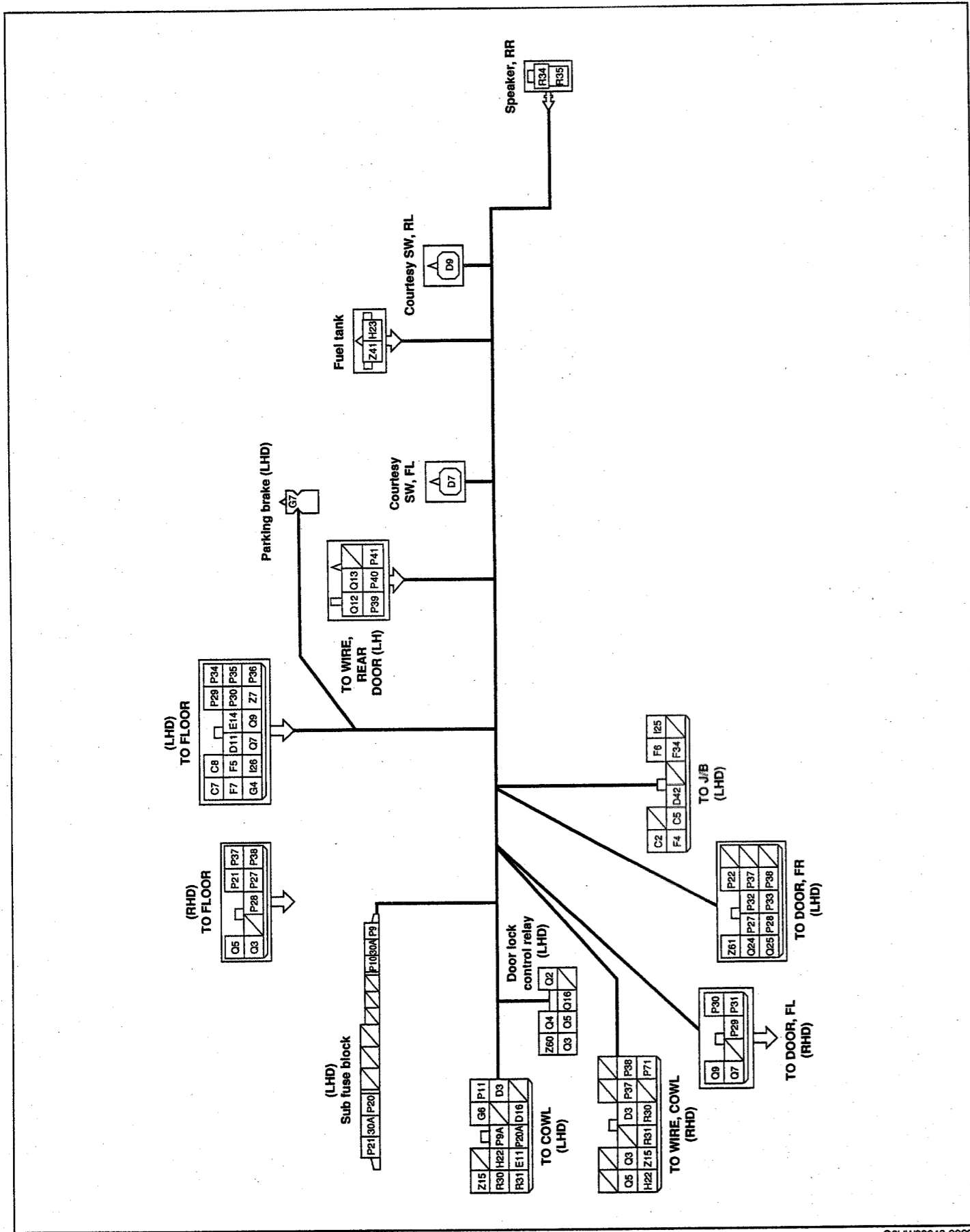
FLOOR

From		To	
Location	Terminal	Terminal	Location
J/B (Tail fuse -, floor 1)	C2	C7	Rear combination lamp RH, Tail lamp (+)
J/B (Tail fuse -, floor 2)	C5	C8	Rear combination lamp LH, Tail lamp (+)
Connect to C2-C7	C2	C16	License plate lamp (+)
To cowl 1 (Key buzzer courtesy SW)	C116	D6	Courtesy SW FR
To cowl 1 (Room lamp, door -)	D3	D8	Courtesy SW FR
Courtesy SW, back door	D10	D12	Luggage room lamp (-)
Connect to D3-D8	D3	D30	Diode (+)
Connect to C115-D6	C116	D31	Diode (-)
Luggage room lamp (+)	D11	D42	J/B (Dome fuse -)
Connect to E11-E15	E11	E14	Rear combination lamp RH (STOP +)
To cowl 1 (Stop lamp SW (-))	E11	E15	Rear combination lamp LH (STOP +)
Connect to E11-E15	E11	E16	To back door (High-mount stop lamp +)
Earth (Body earth, Rr RH)	Z8	E17	To back door (Earth)
J/B (Rear turn LH)	F4	F5	Rear combination lamp LH (+)
J/B (Rear turn RH)	F6	F7	Rear combination lamp RH (+)
J/B (Back fuse)	F34	G4	Rear combination lamp RH (Back-up lamp +)
Connect to F34-G4	F34	G5	Rear combination lamp LH (Back-up lamp +)
To cowl 1 (Meter, brake warning)	G6	G7	Parking brake (Parking brake SW)
To cowl 1 (Shift position SW (Reverse))	G2	G15	Rear combination lamp RH (Back-up lamp -)
Connect to G2-G15	G2	G16	Rear combination lamp LH (Back-up lamp -)
J/B (Fuse, wiper)	I25	I26	Rear washer (Motor +)
To back door (Rear wiper motor +)	I29	I26	Rear washer (Motor +)
Rear washer (Motor -)	I27	I28	To cowl 1 (Rear washer SW +)
To back door (Rear wiper motor -)	I30	I31	To cowl 1 (Rear wiper motor SW +)
To cowl 1 (Defogger SW -)	K28	K29	To back door (Defogger +)
To cowl 1 (P/W master SW RR (UP))	P32	P34	To rear door RH (P/W SW (UP +))
To cowl 1 (P/W master SW RR (DOWN))	P33	P35	To rear door RH (P/W SW (DOWN +))
To cowl 1 (P/W master SW RR (+B))	P71	P36	To rear door RH (P/W SW (+))
To cowl 1 (Door lock SW, Lock)	Q5	Q10	To rear door RH (Door lock motor, Lock)
To cowl 1 (Door lock SW, Unlock)	Q3	Q11	To rear door RH (Door lock motor, Unlock)
To cowl 1 (Radio speaker Rr RH (+))	R28	R32	RR speaker (+)

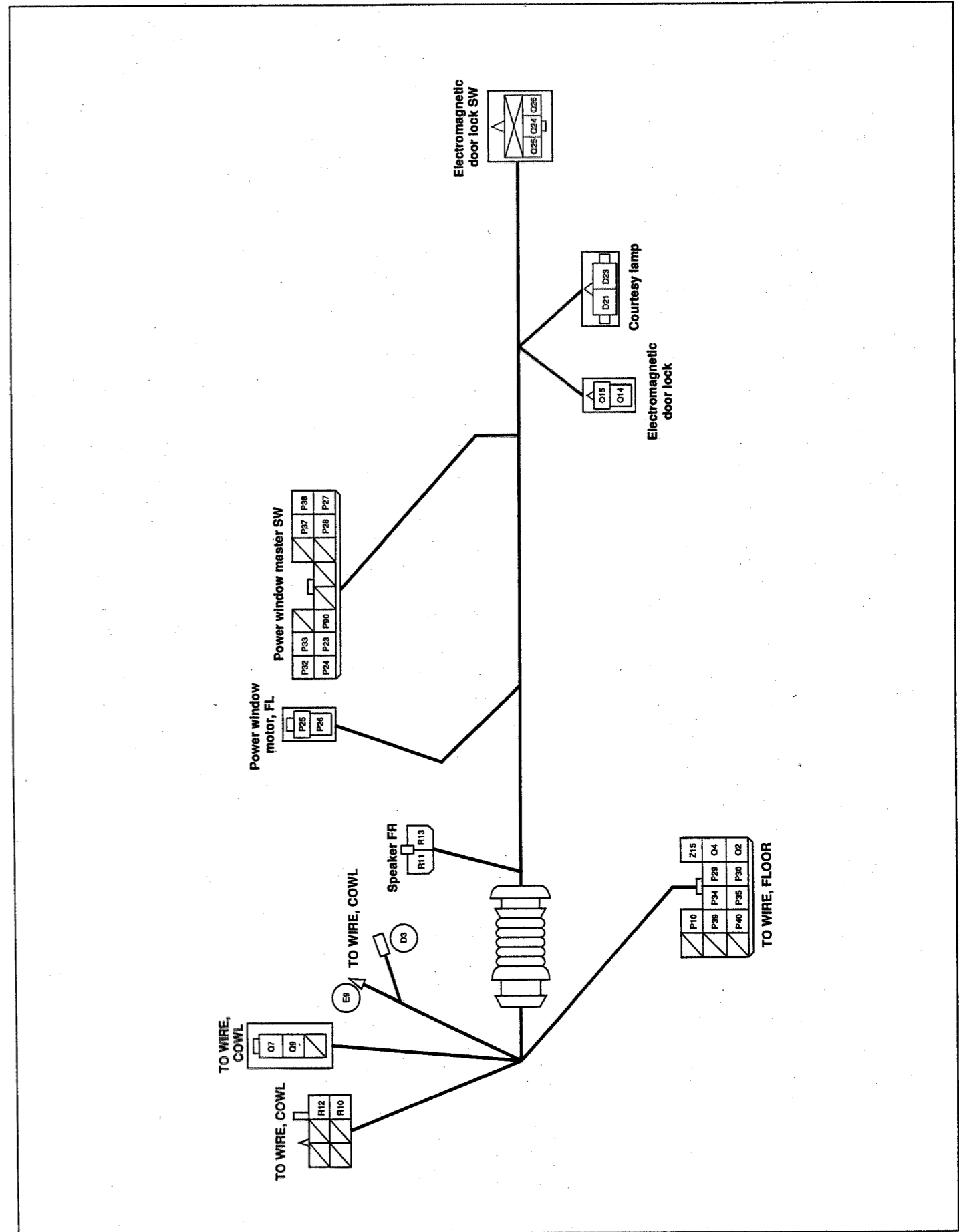
From		To	
Location	Terminal	Terminal	Location
To cowl 1 (Radio speaker Rr RH (-))	R29	R33	RR speaker (-)
Connect to Z8-Z6	Z8	Z5	Rear combination lamp RH (Tail earth)
Earth (Body earth, Rr RH)	Z8	Z6	Rear combination lamp LH (Tail earth)
To cowl 1 (Body earth, cowl)	Z3	Z7	Earth (Body earth, Rr RH)
Connect to Z8-Z6	Z8	Z79	License lamp (Earth)

G2HW00045-00000

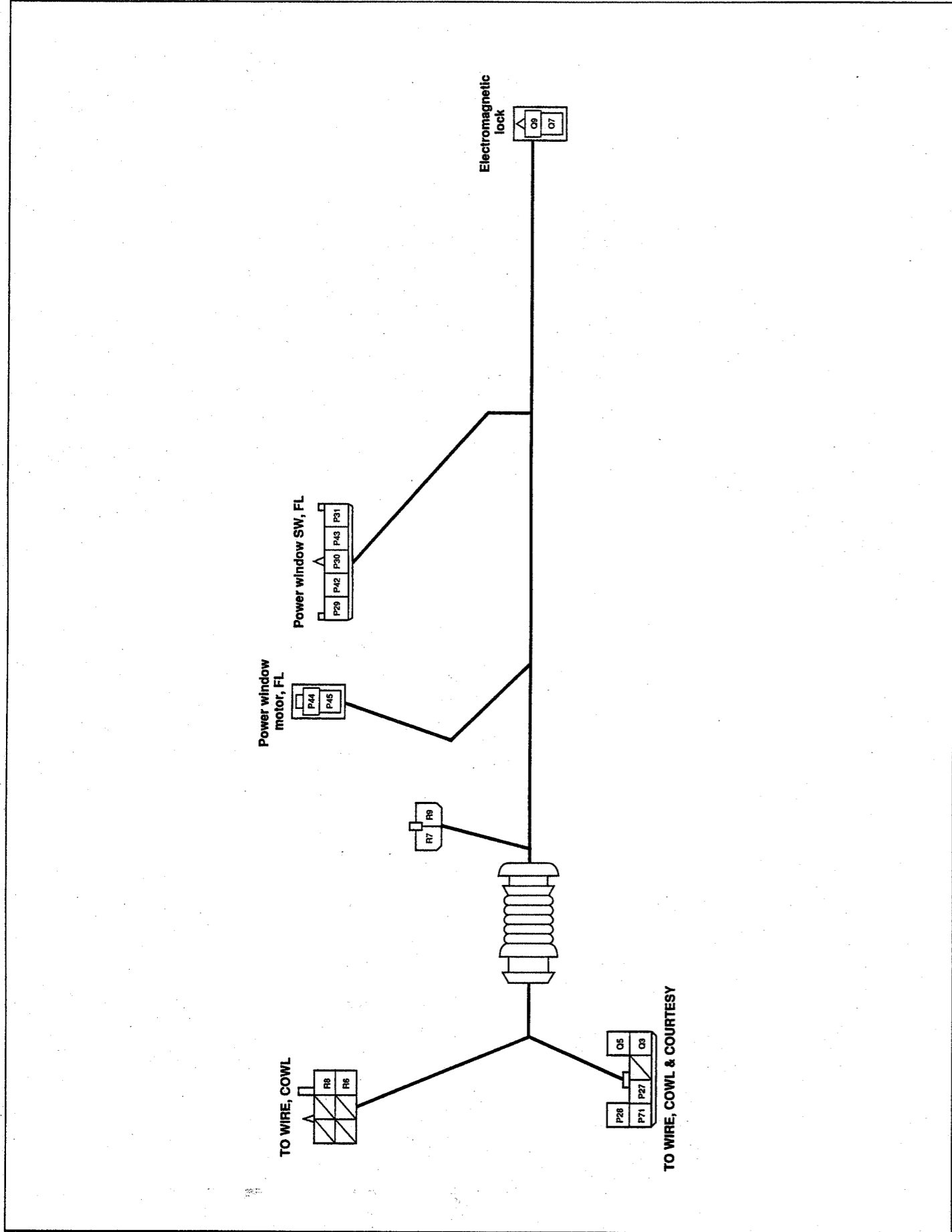
WIRING HARNESS  
COURTESY LAMP FEED



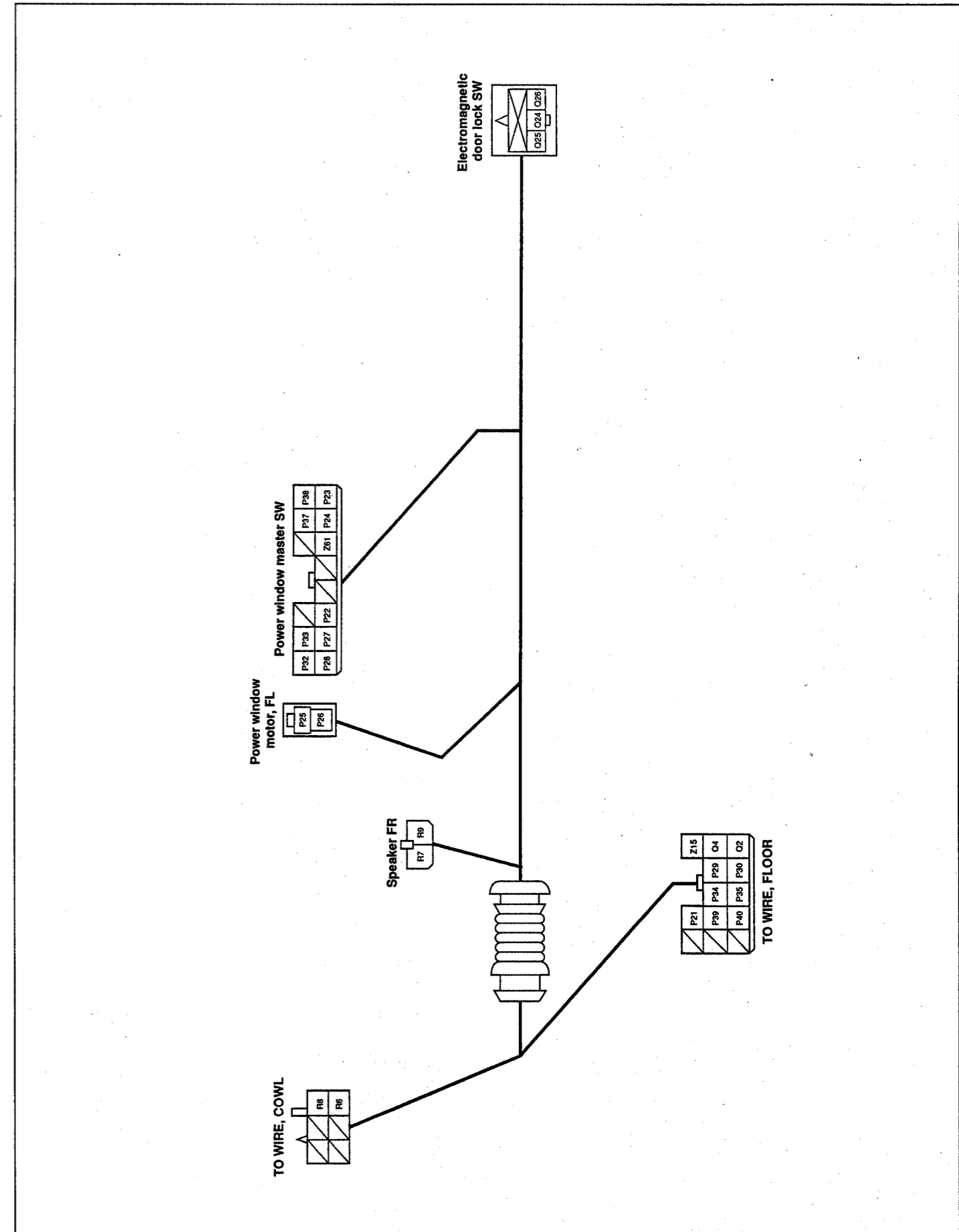
FRONT DOOR RH (Driver's side) / R.H.D.



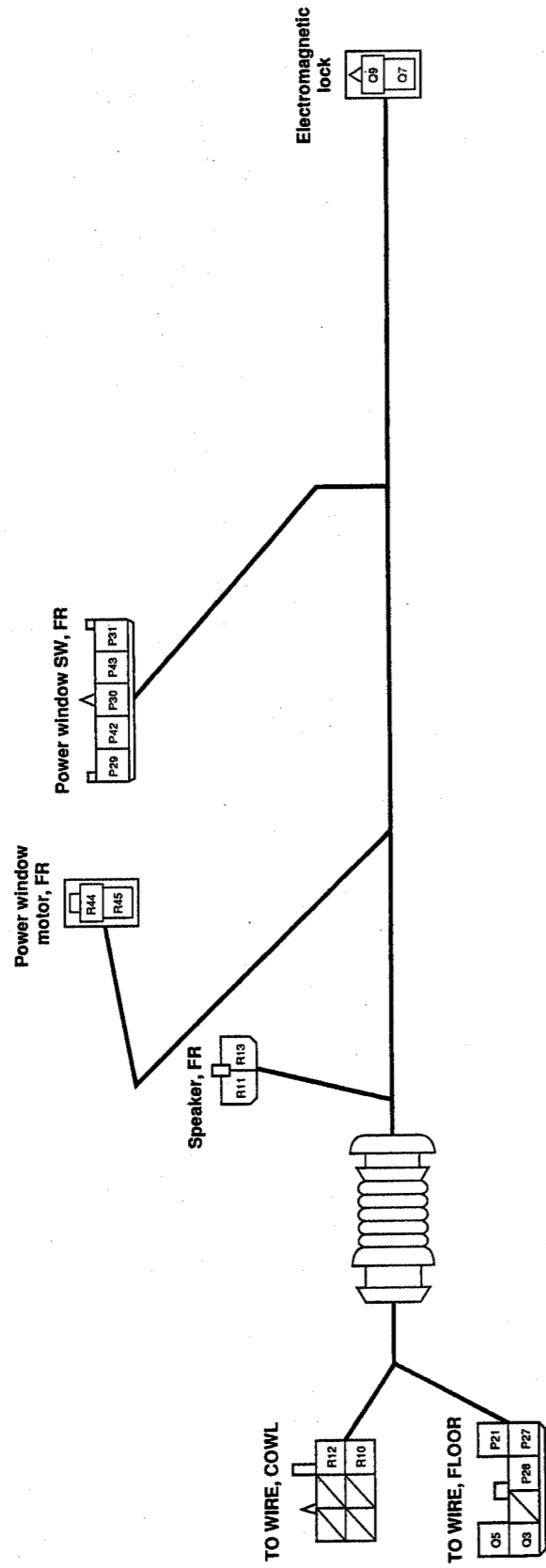
FRONT DOOR LH (Passenger's side) / R.H.D.



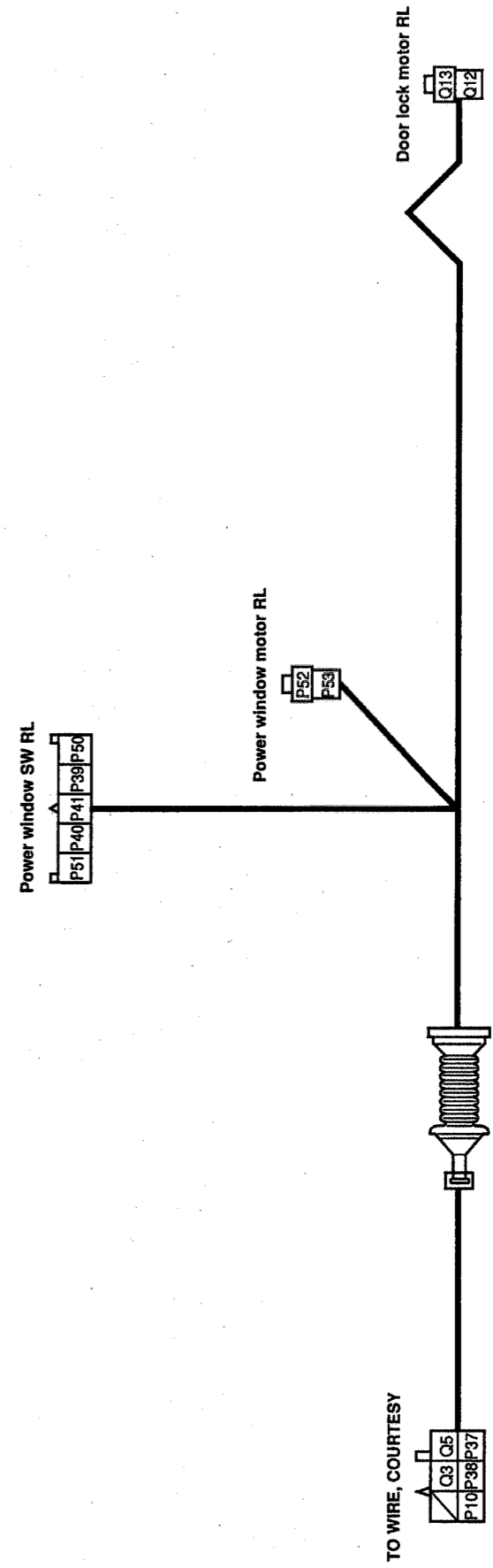
FRONT DOOR LH (Driver's side) / L.H.D.



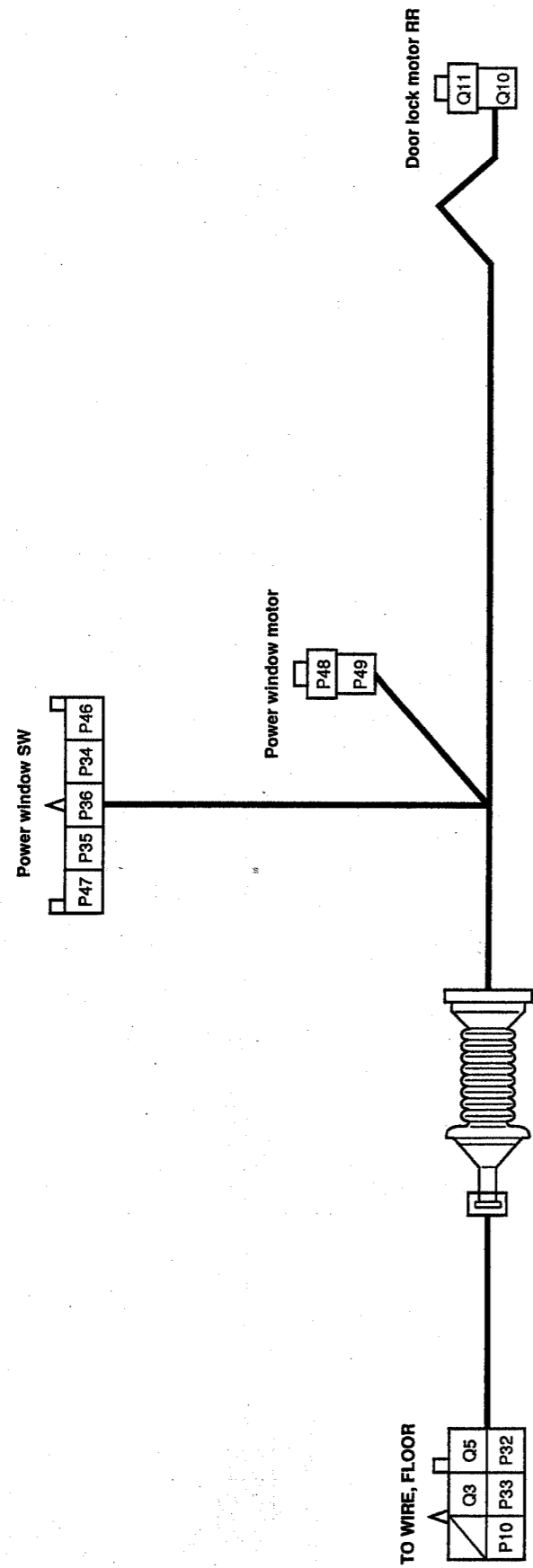
FRONT DOOR RH (Driver's side) / L.H.D.



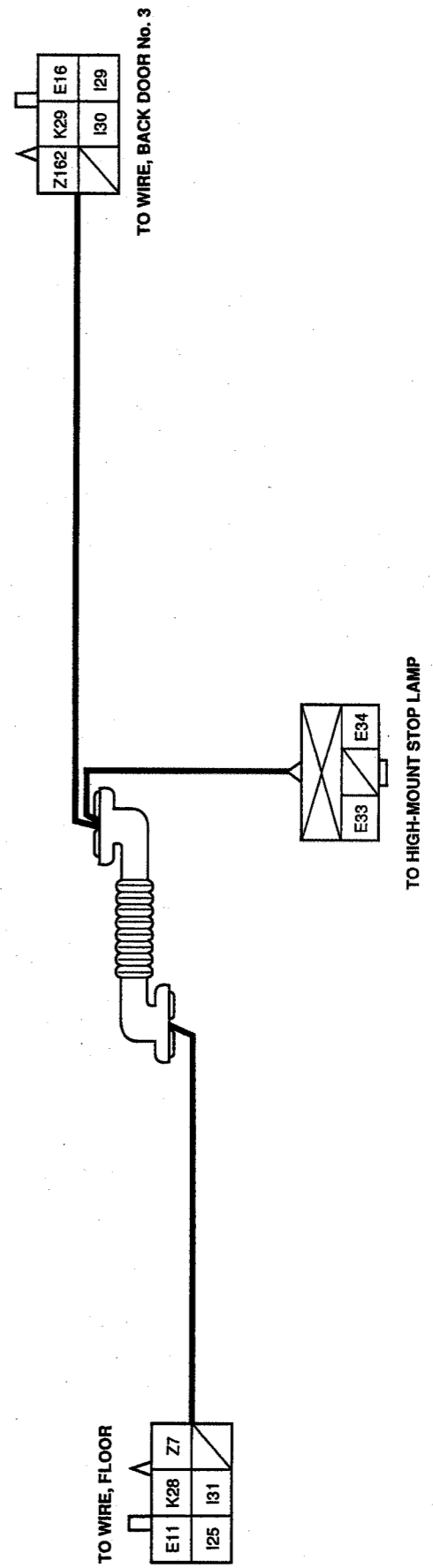
REAR DOOR LH



REAR DOOR RH

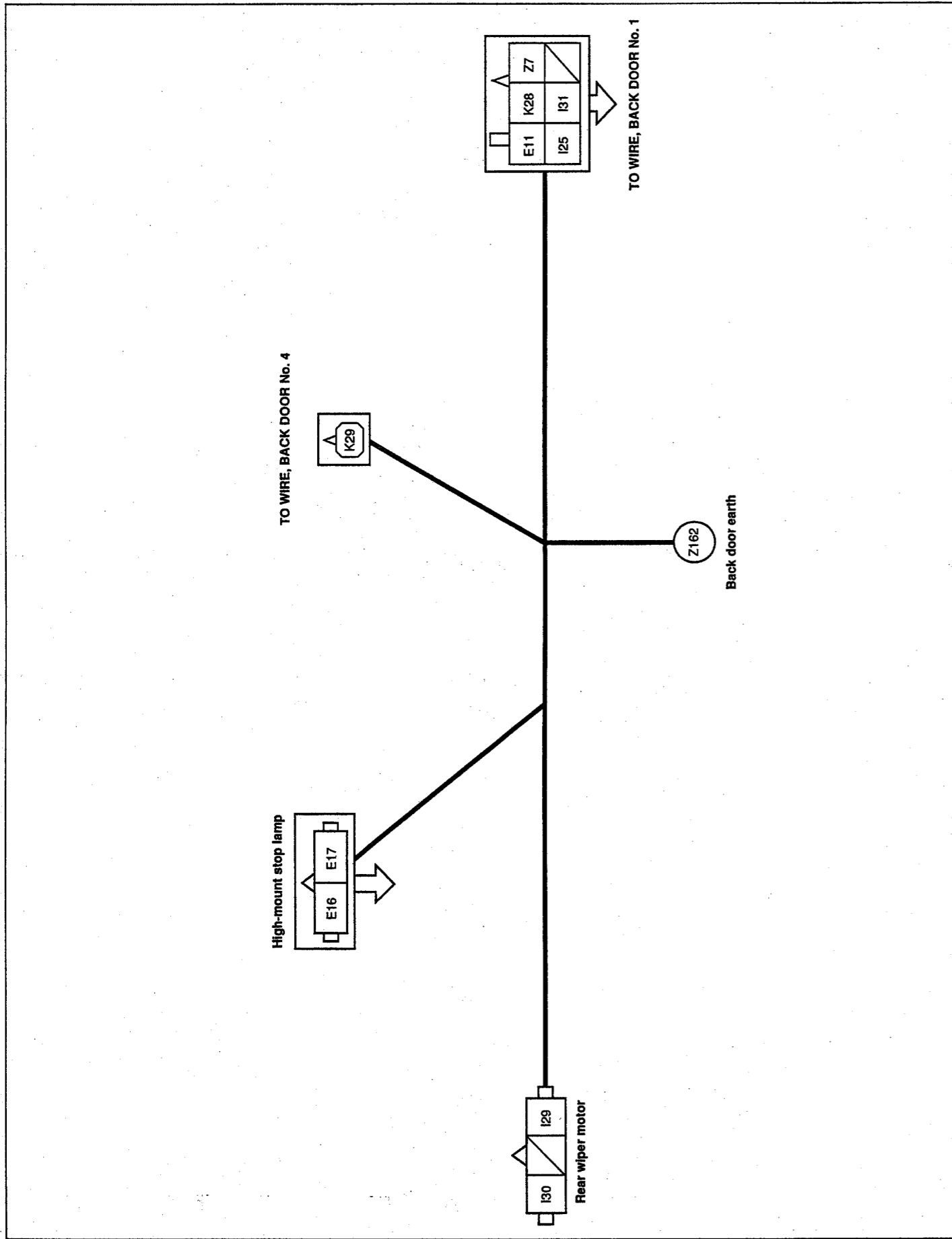


BACK-DOOR NO. 1

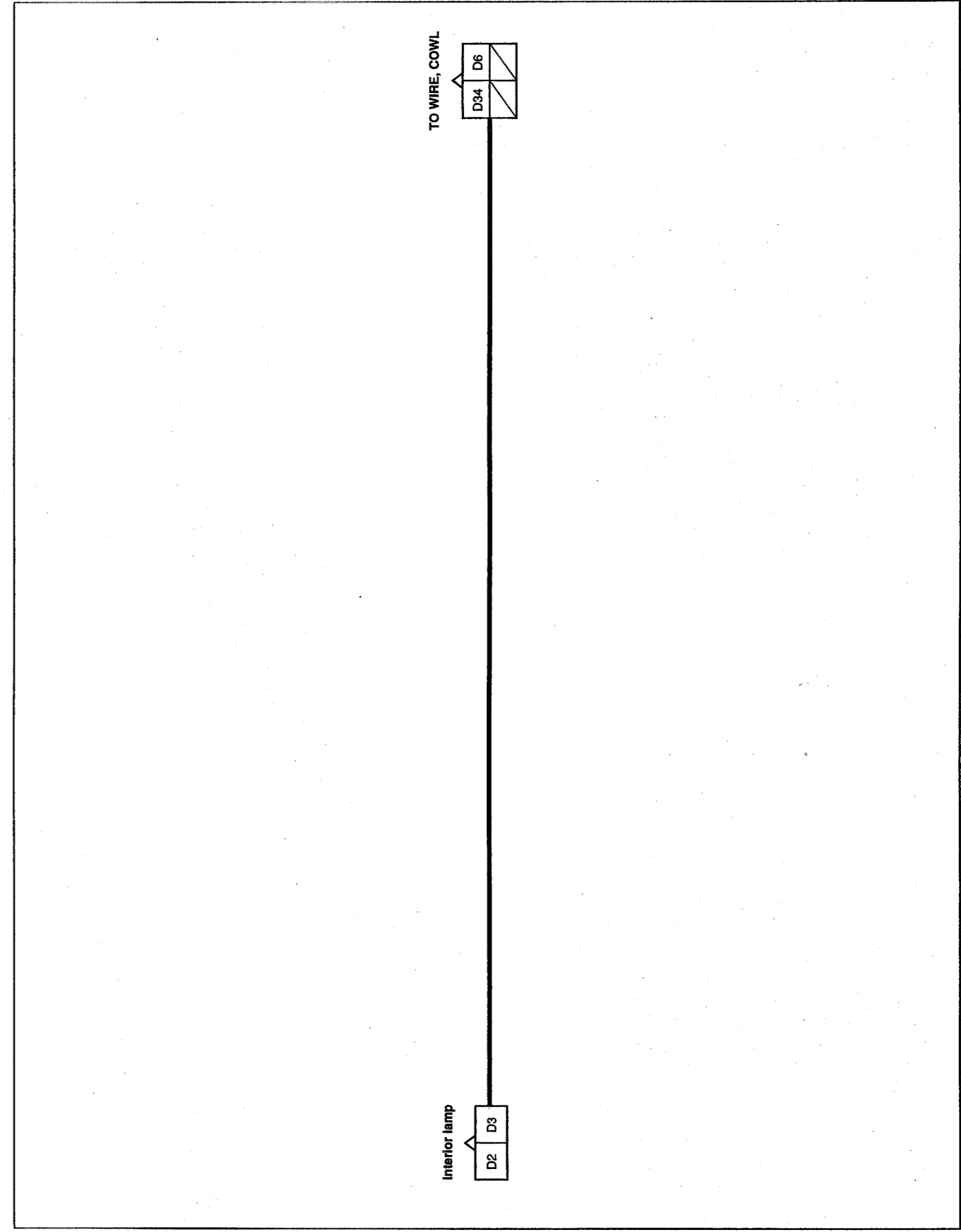




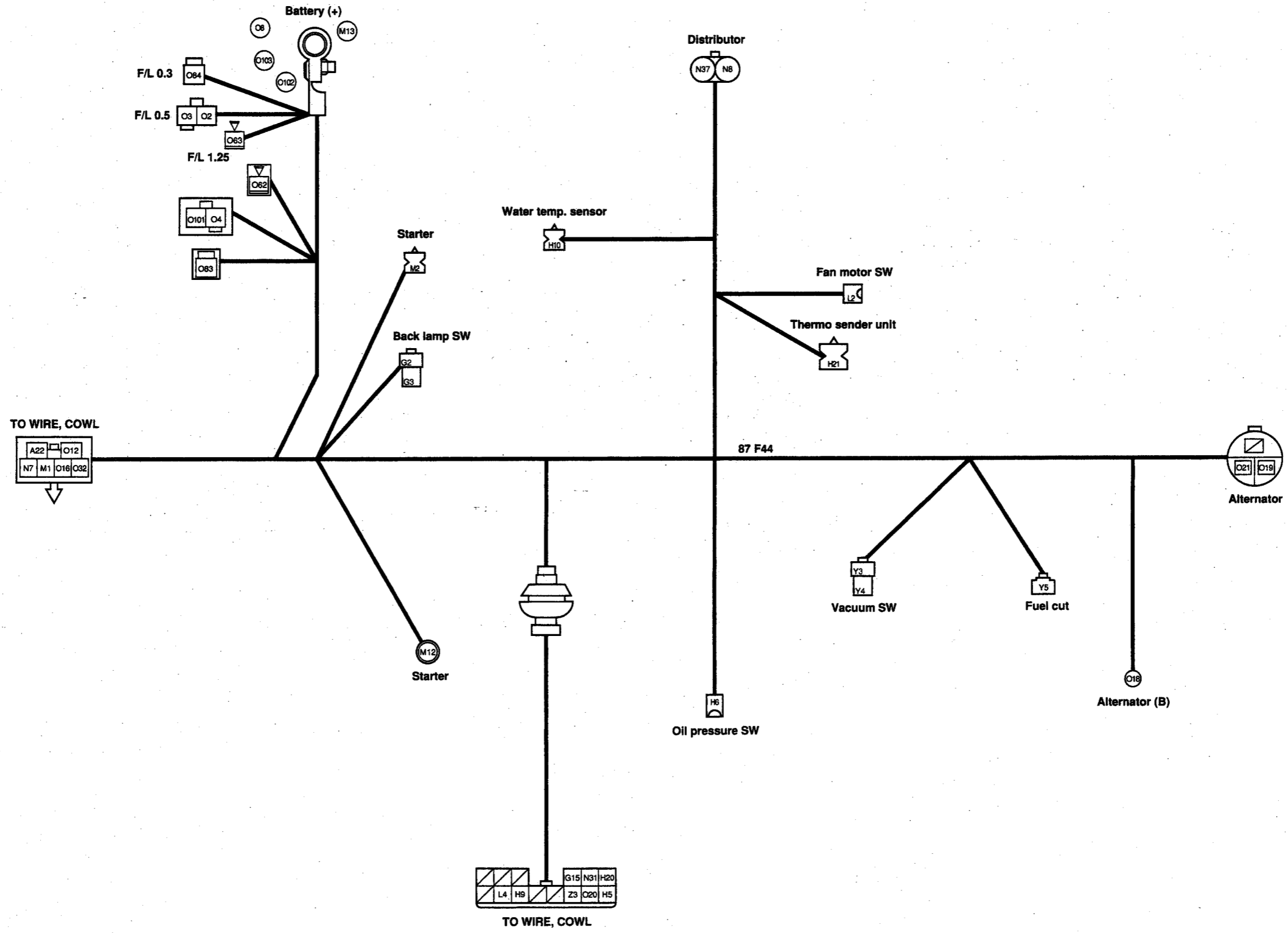
BACK-DOOR NO. 3



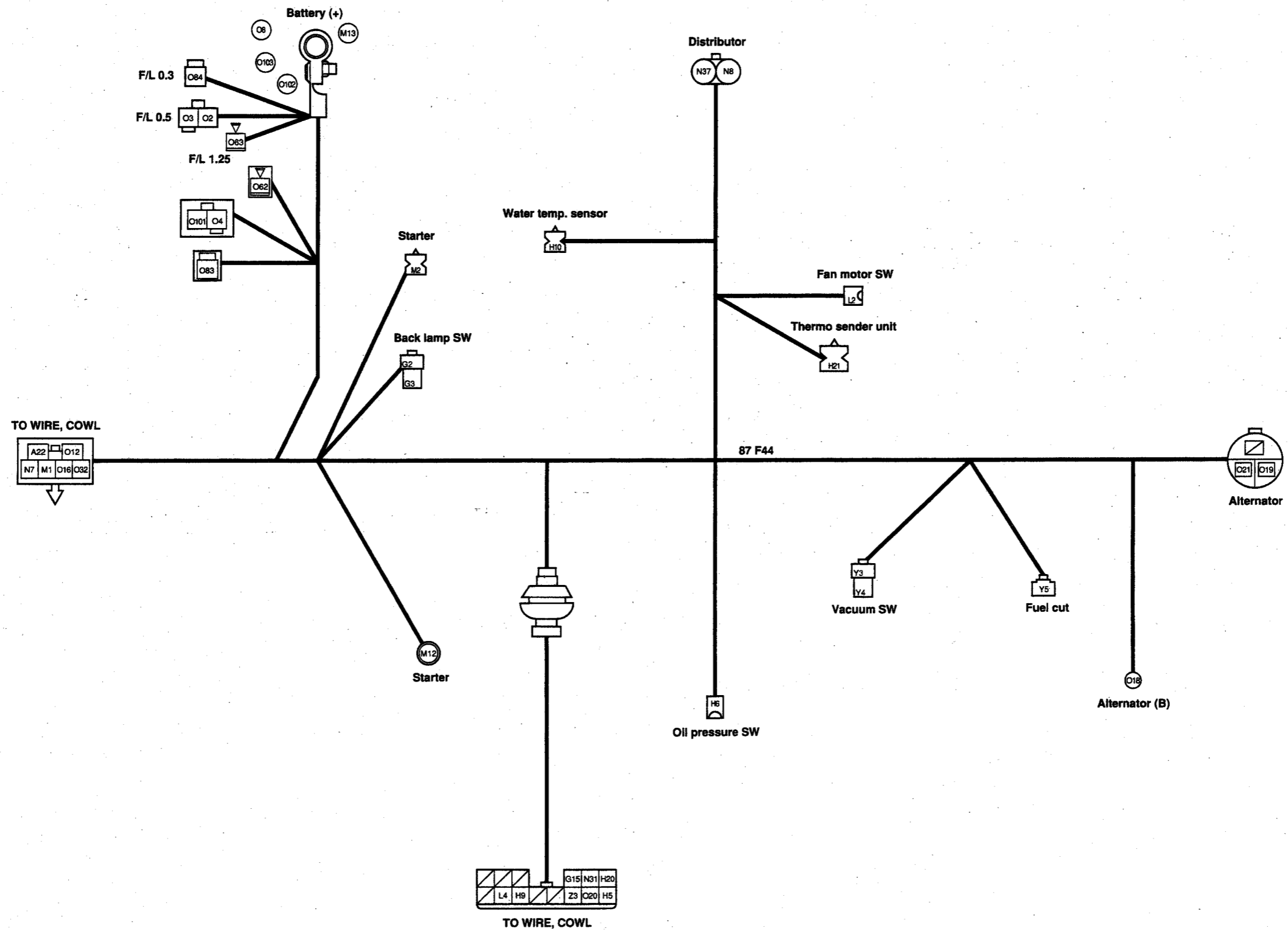
INTERIOR LAMP FEED



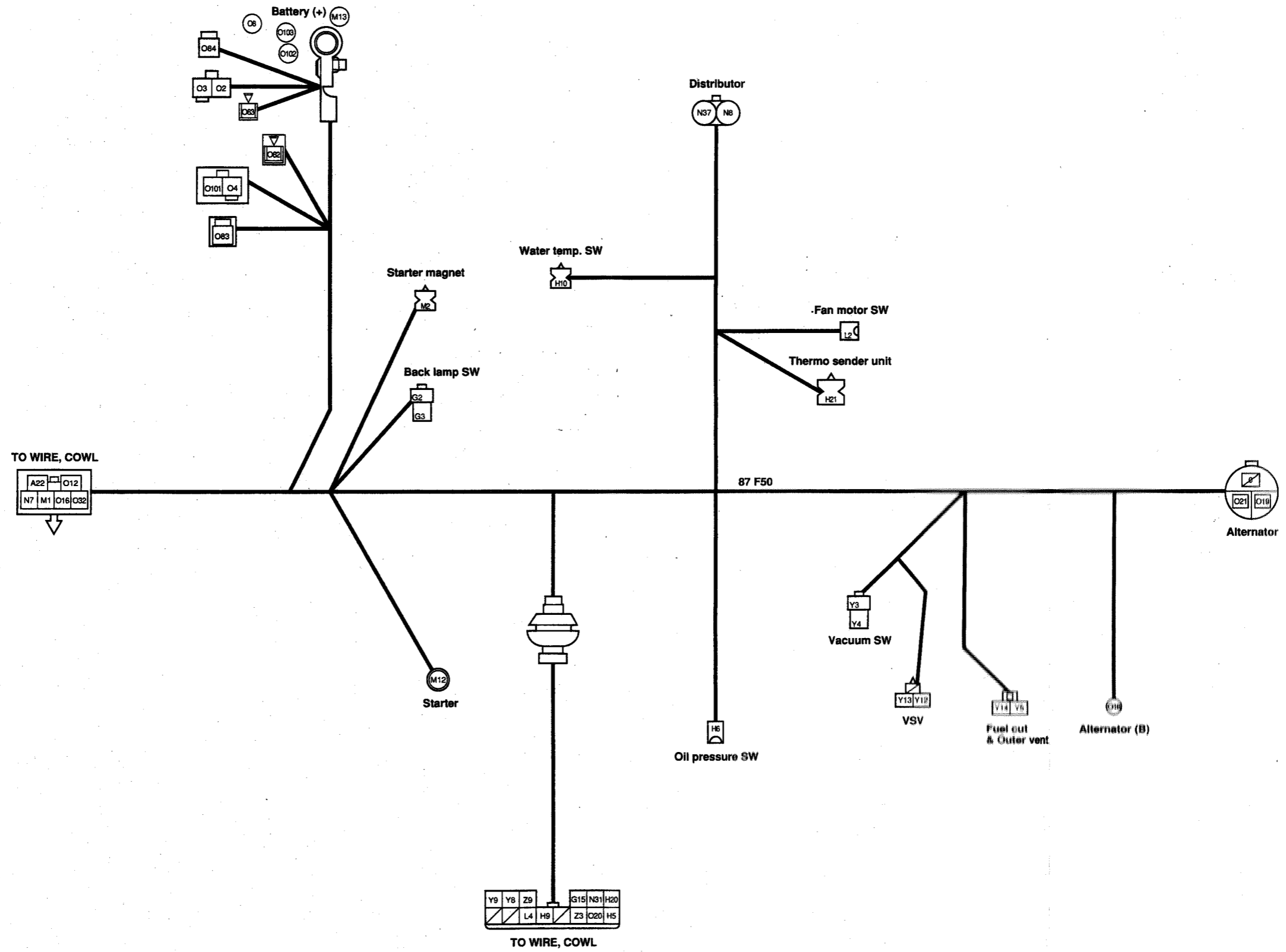
ENGINE, L.H.D.



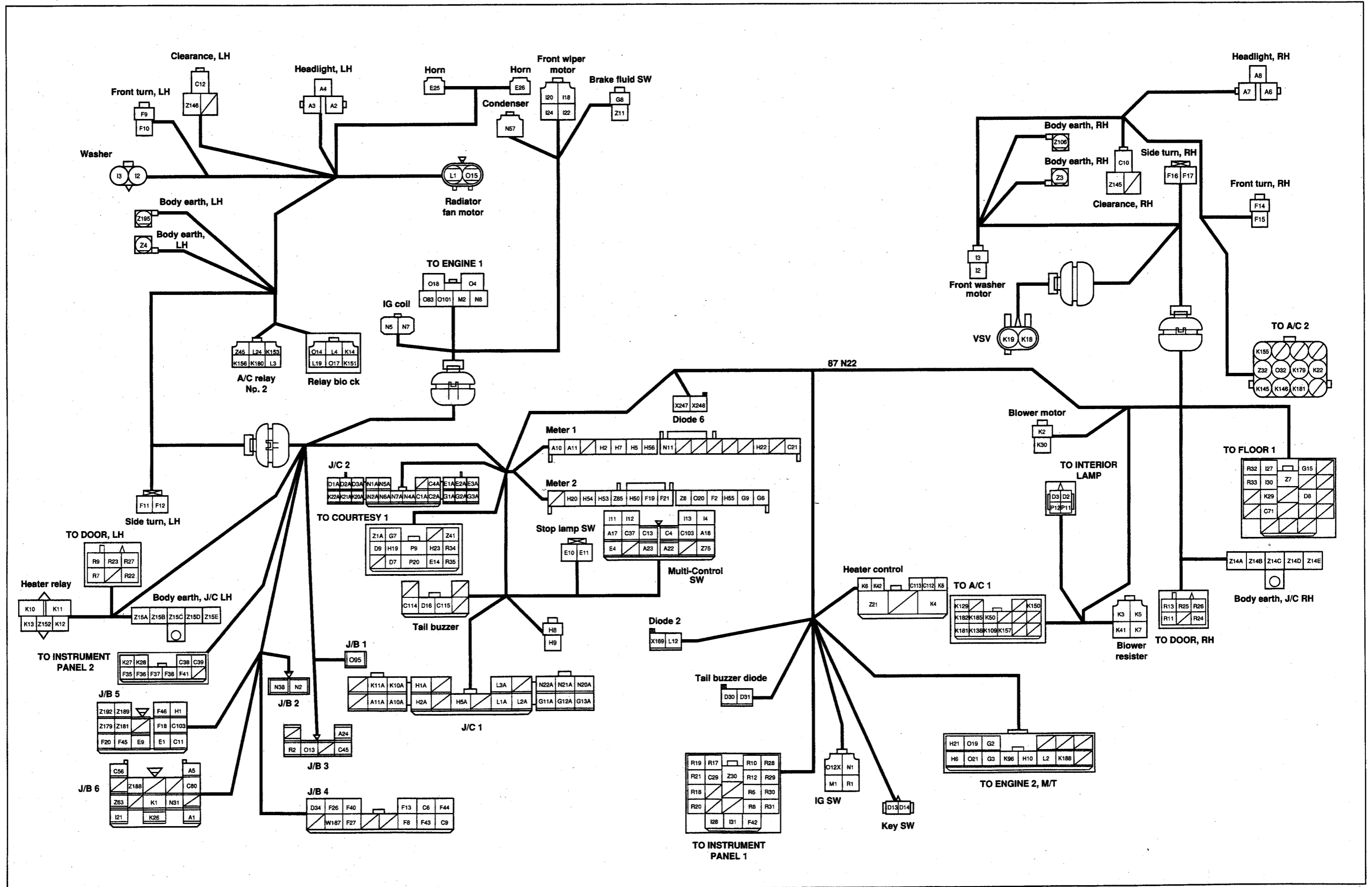
ENGINE, L.H.D.



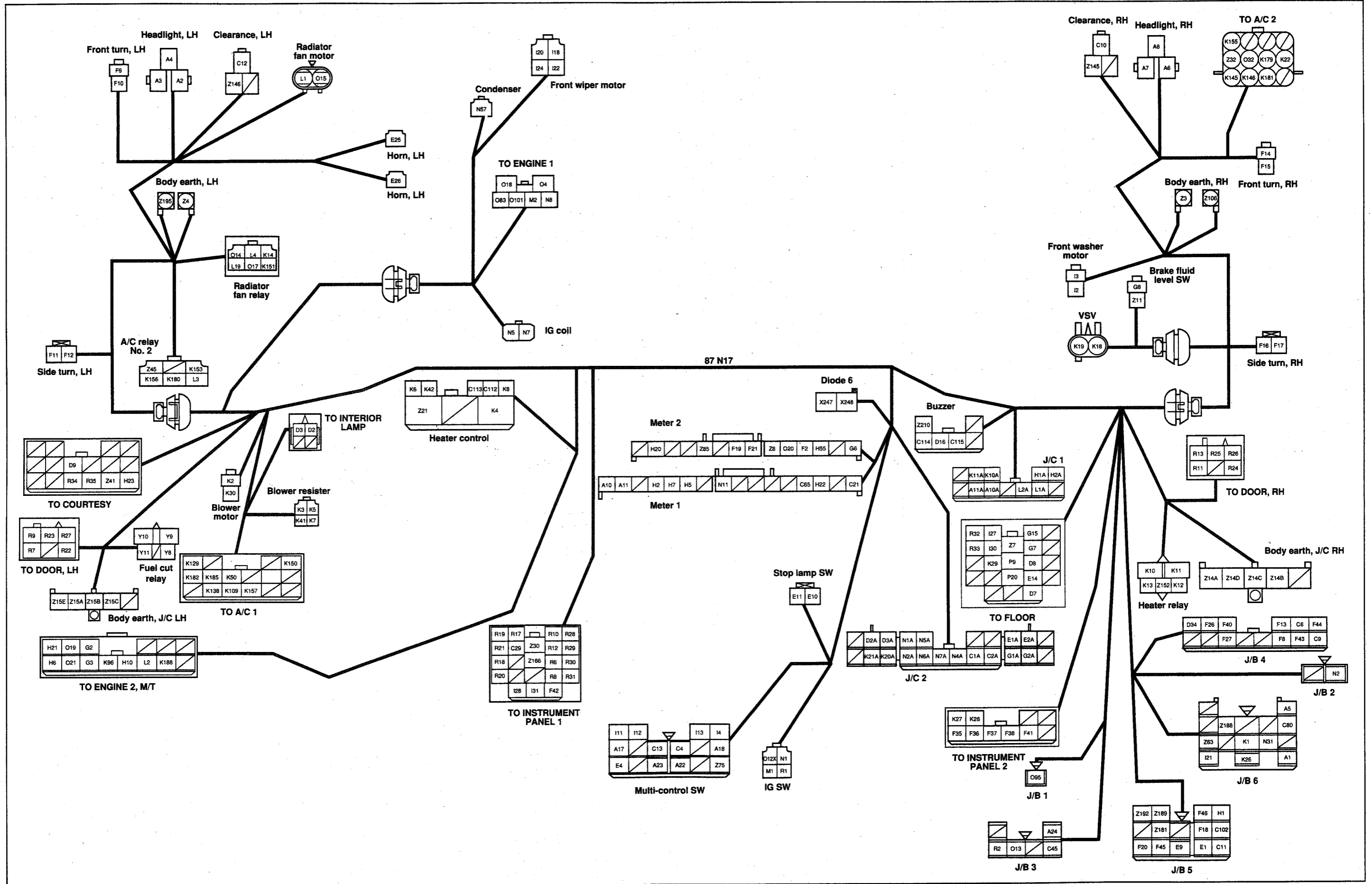
ENGINE, R.H.D.



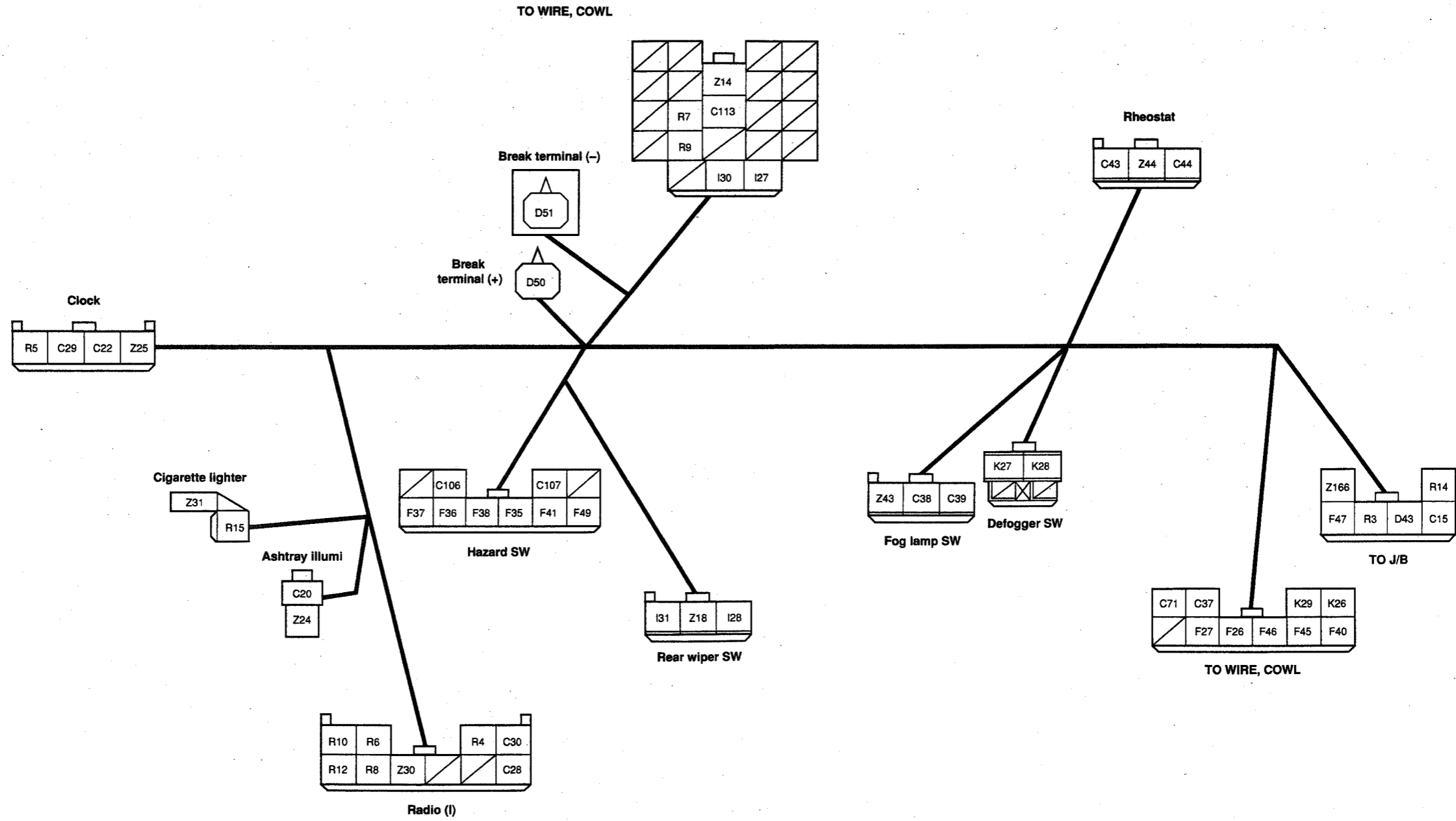
COWL, L.H.D.



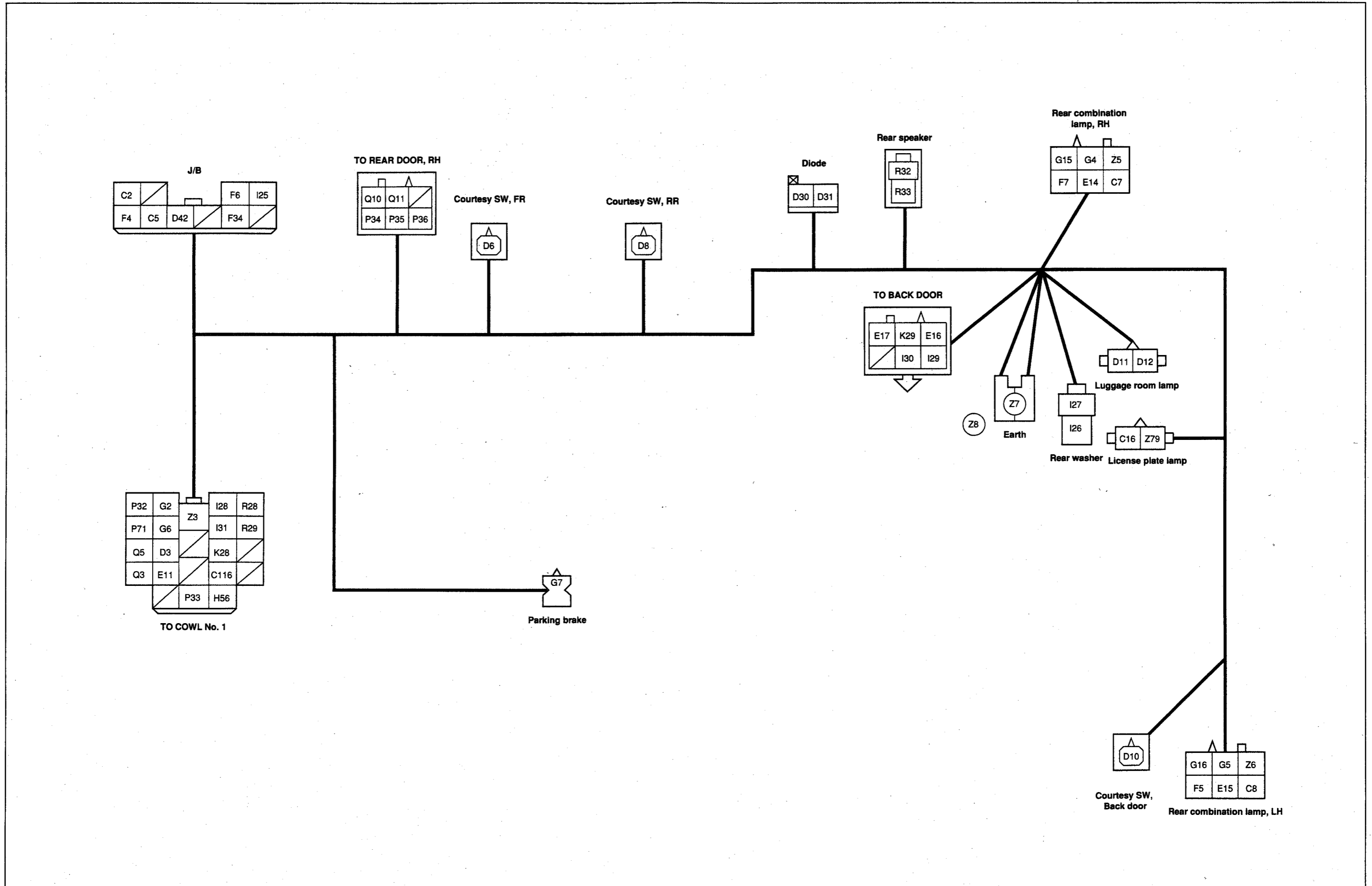
COWL, R.H.D.



INSTRUMENT PANEL

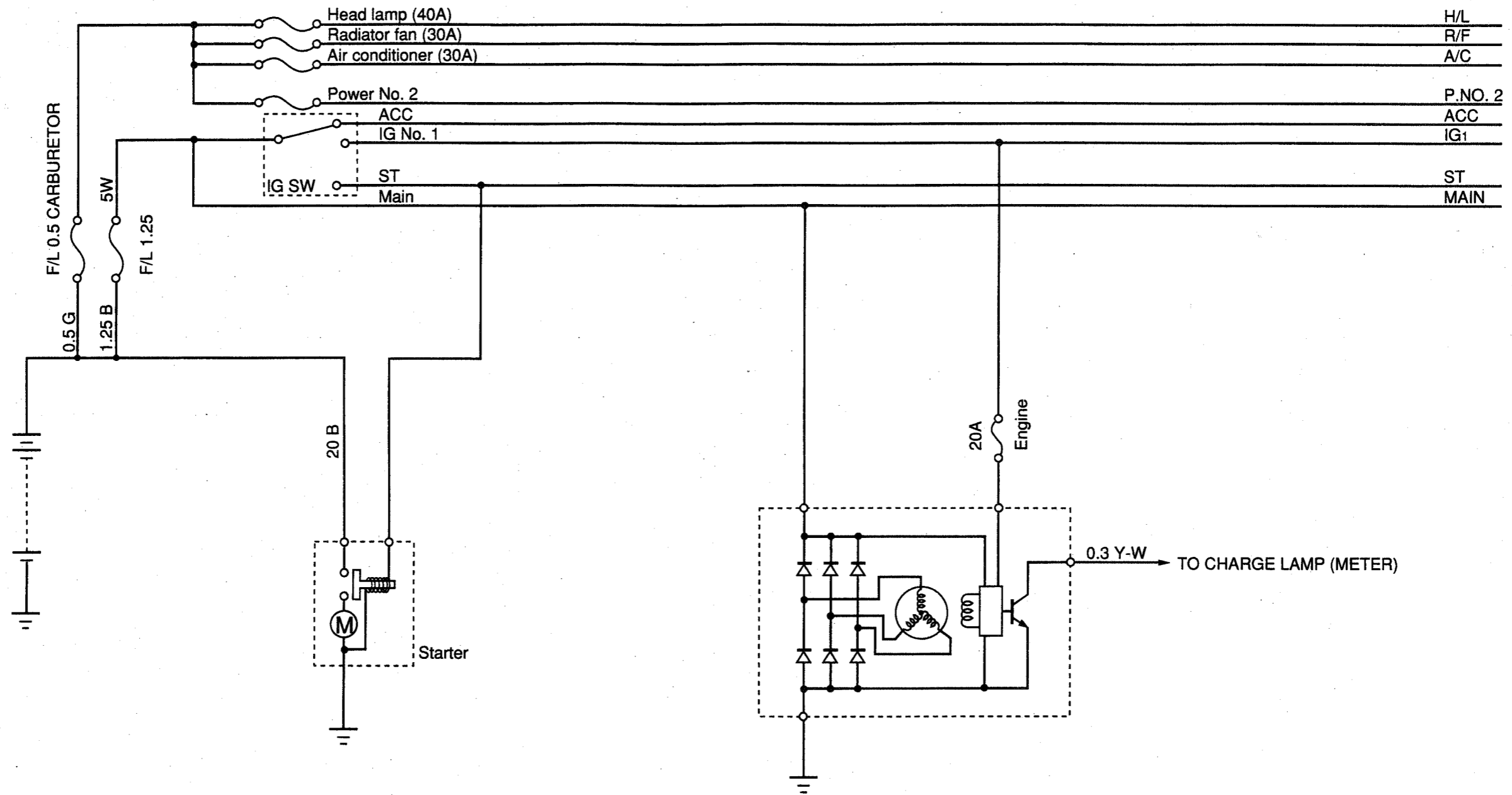


FLOOR





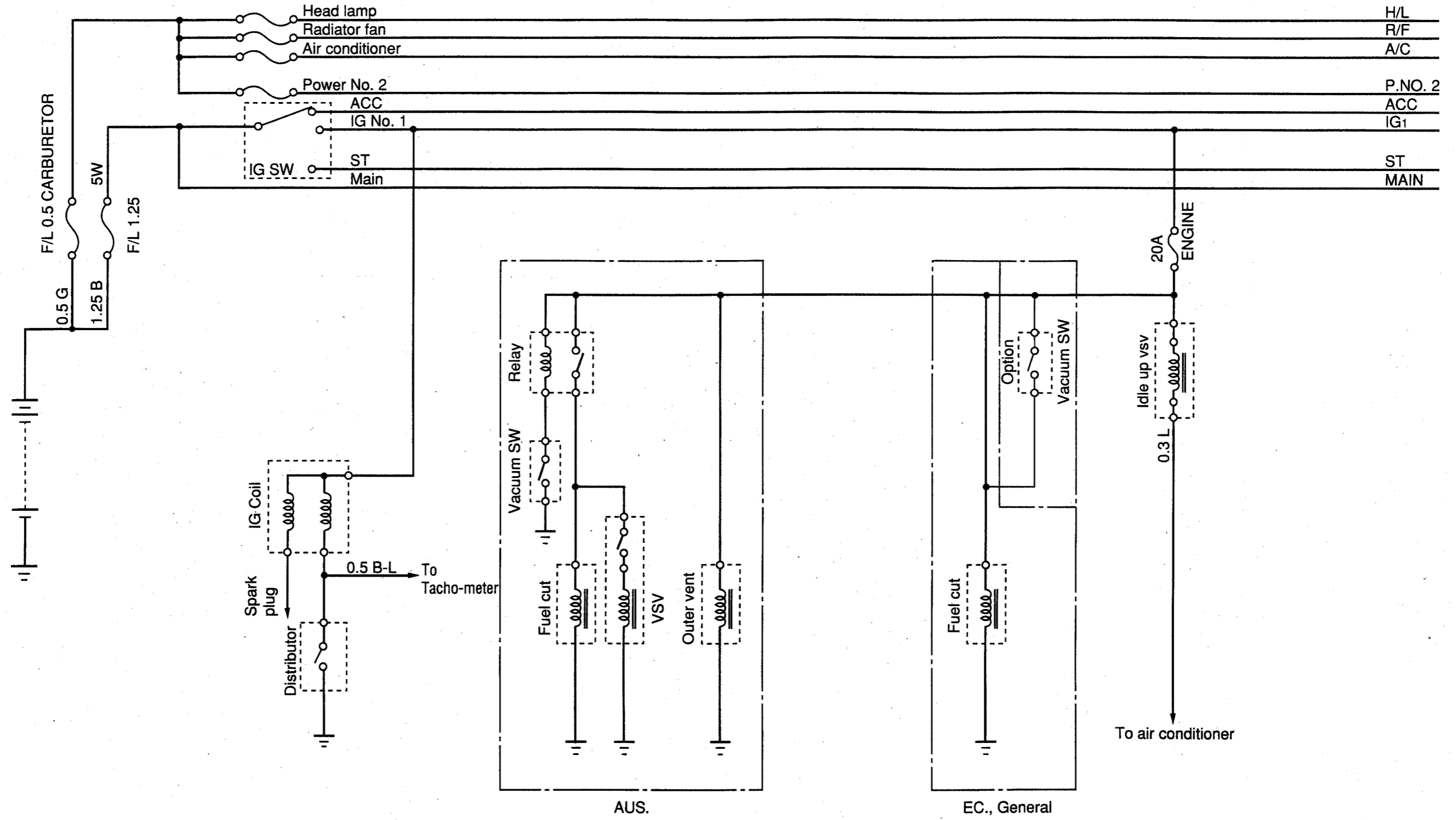
# WIRING DIAGRAM STARTER AND ALTERNATOR



STARTER

ALTERNATOR

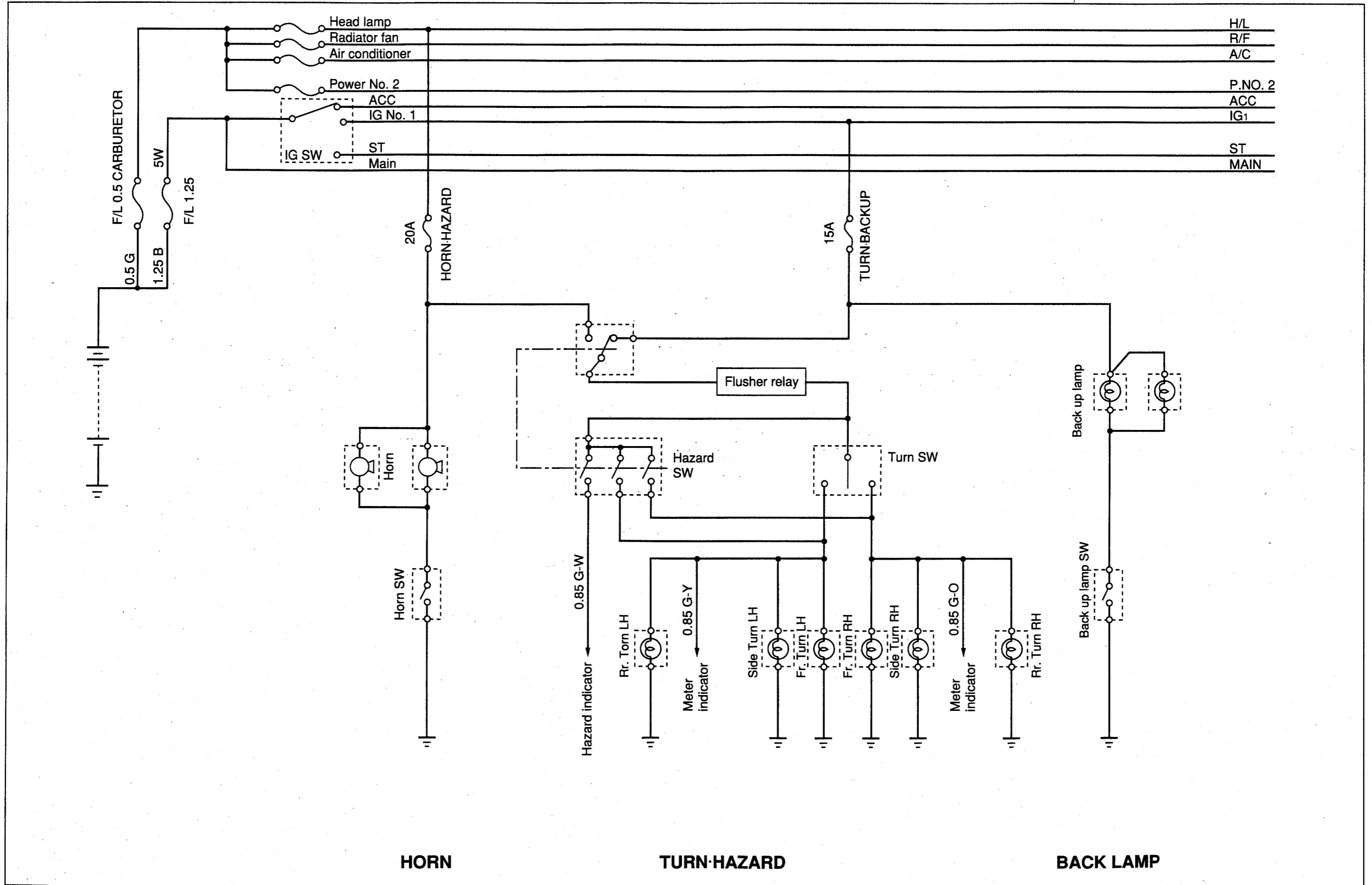
IGNITION COIL AND IDLE UP



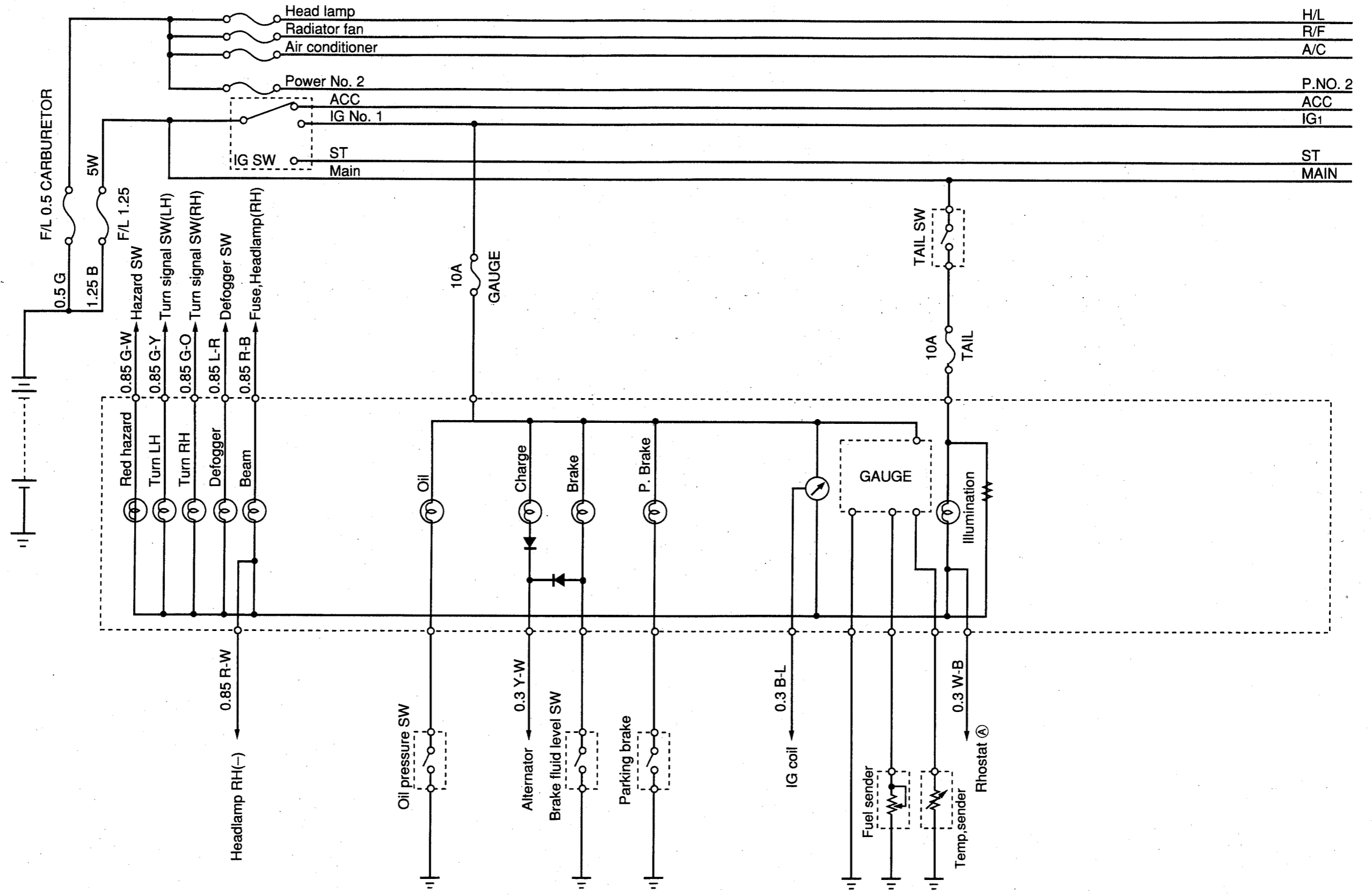
IGNITION COIL

IDLE UP

HORN, TURN & HAZARD AND BACK UP LAMP

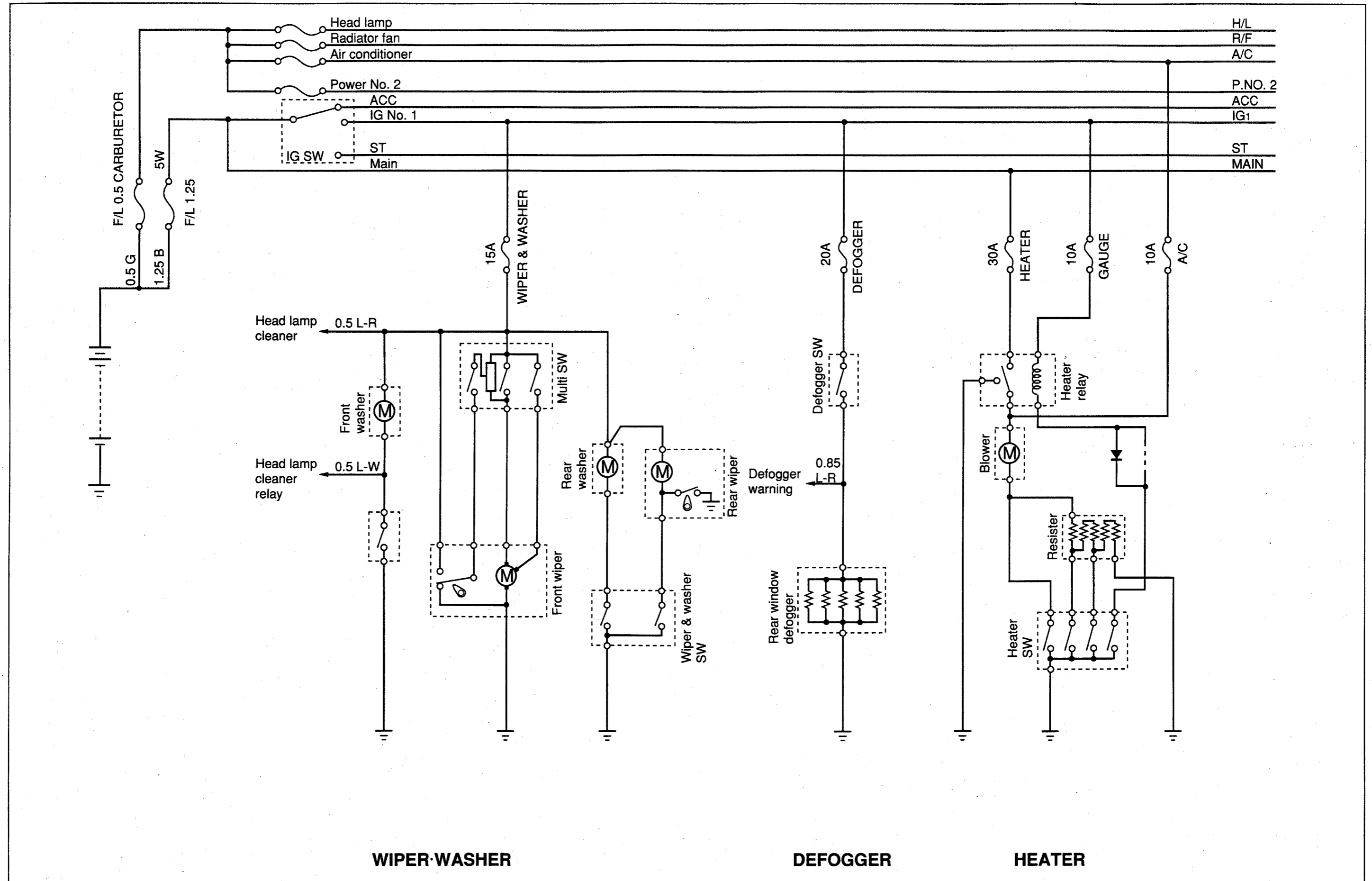


METER

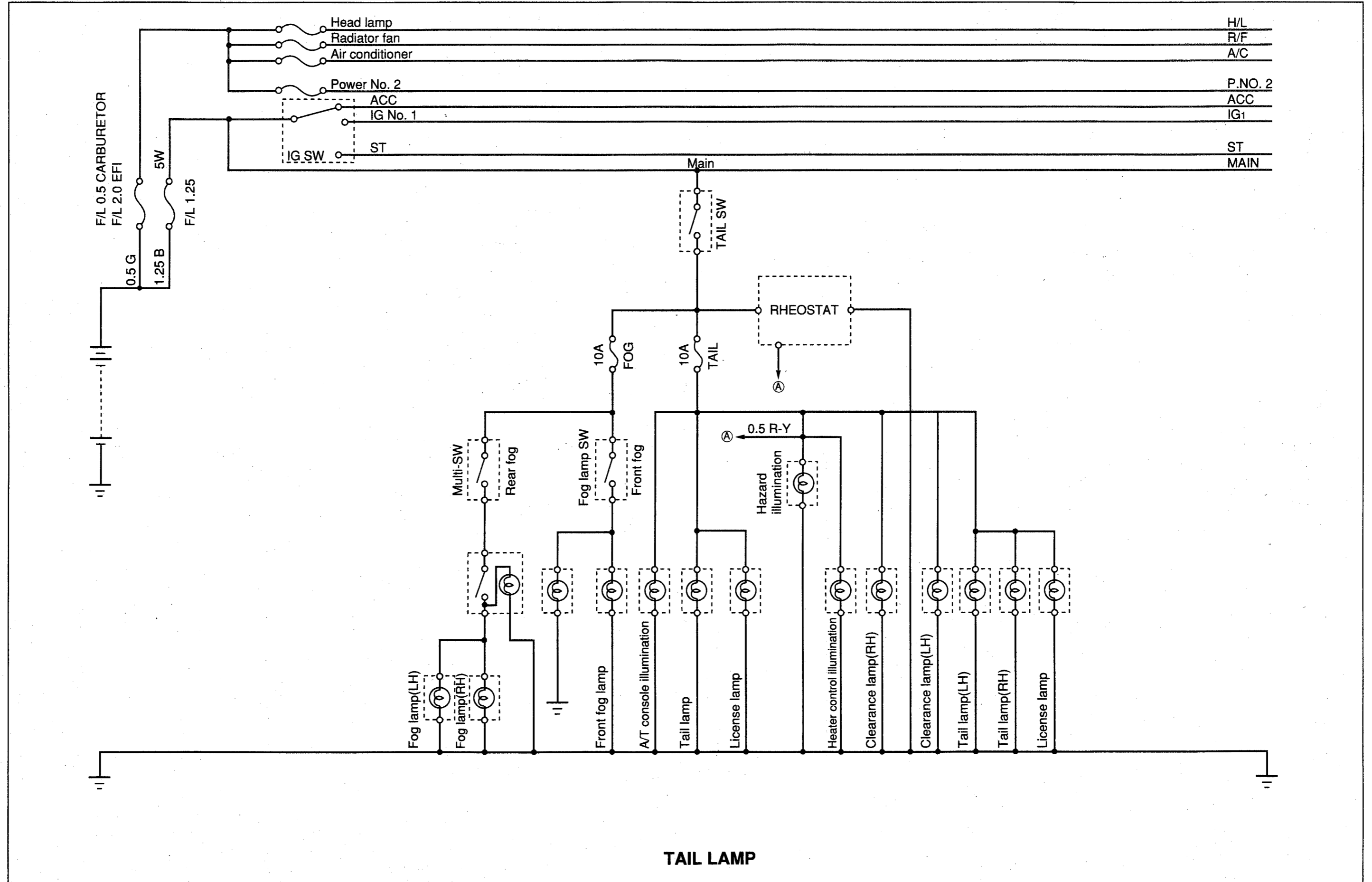


METER

WIPER & WASHER, DEFOGGER AND HEATER

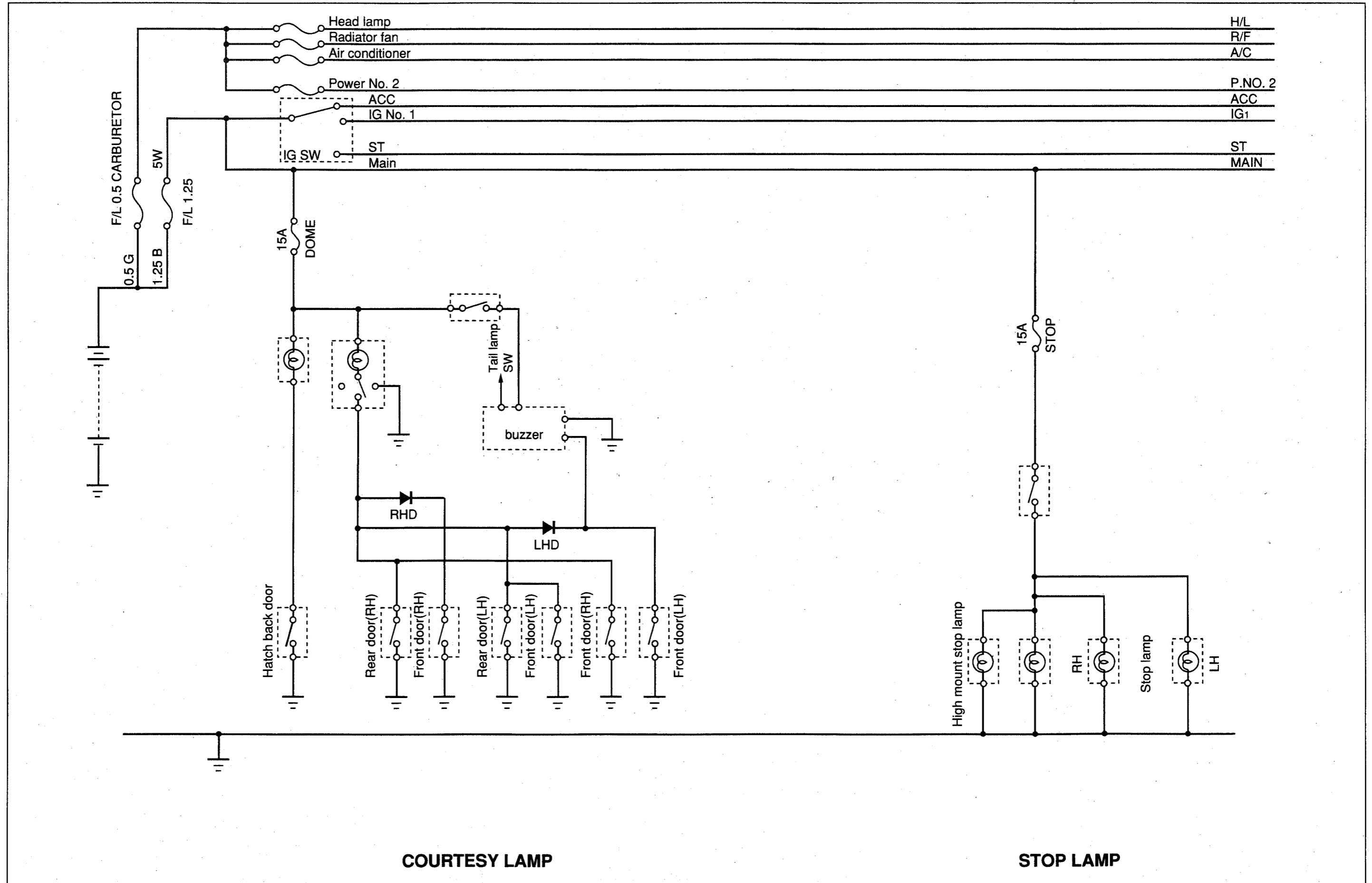


HEADLAMP AND TAIL LAMP

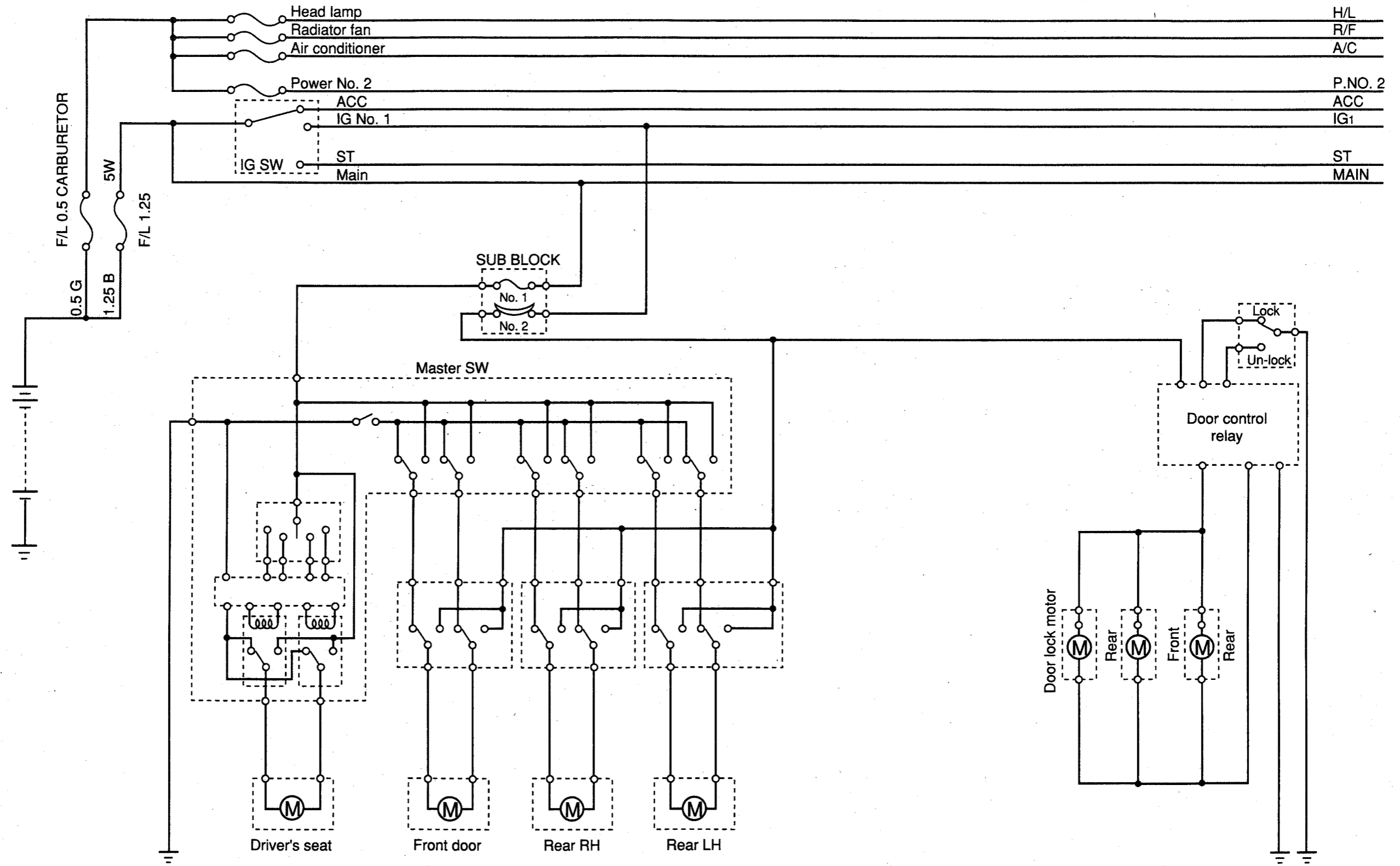


TAIL LAMP

COURTESY LAMP AND STOP LAMP



POWER WINDOW AND DOOR LOCK

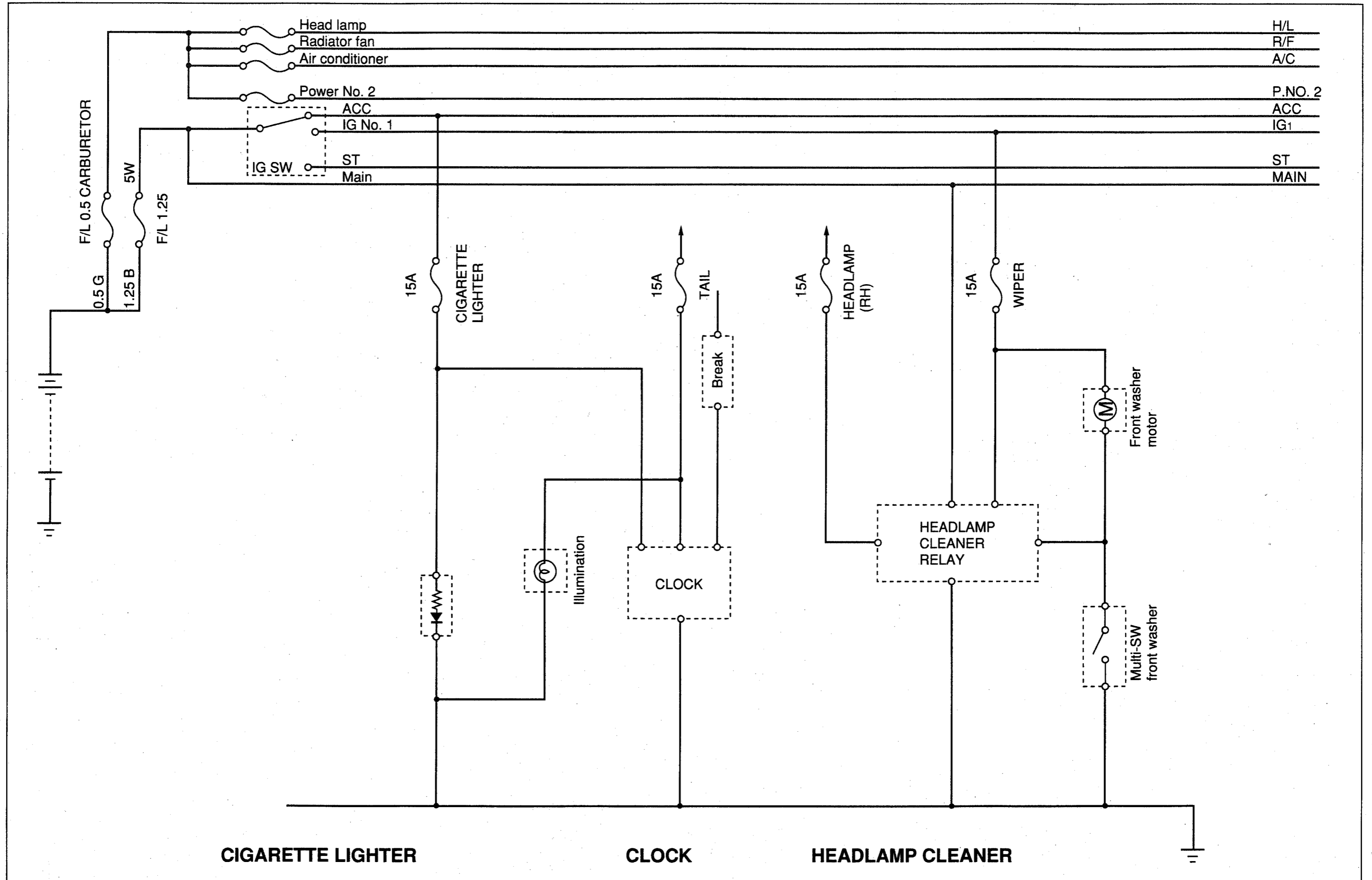


POWER WINDOW

DOOR LOCK



CIGARETTE LIGHTER AND CLOCK



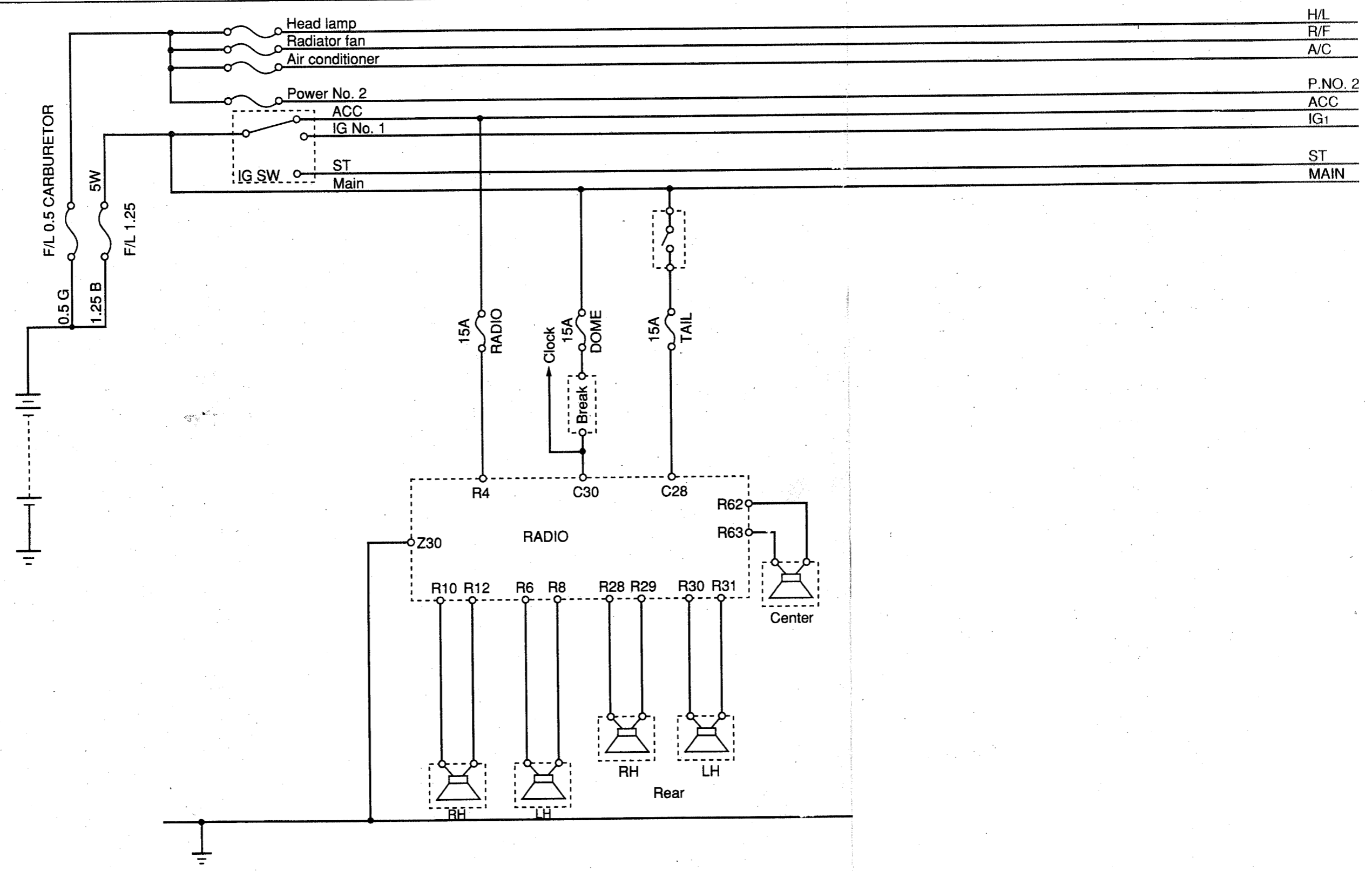
CIGARETTE LIGHTER

CLOCK

HEADLAMP CLEANER



RADIO



RADIO